

Module Repair Kit

407050E

InvisiPac® GS35 Plug-Free™ Hot Melt Applicator

EN



Important Safety Instructions

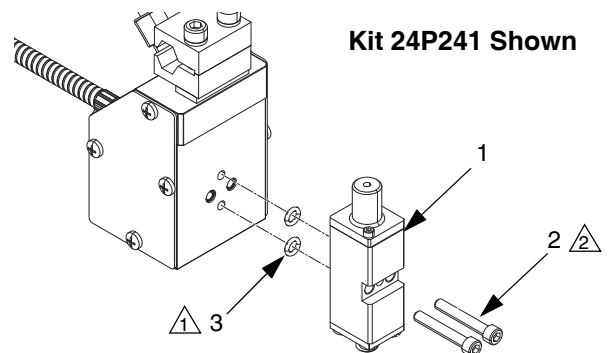
Read all warnings and instructions in the InvisiPac® GS35 Plug-Free™ Hot Melt Applicator manual before using the equipment. Save all instructions.

Kit 24P241 and Kit 25E616 (Sift-Proof)

Ref. Part	Description	Qty.
1 ---	MODULE	1
2 104705	SCREW, cap, sch; #10-32 x 1.25 in.	2
3 ---*	O-RING	2
4 24T179	LUBRICANT, anti-seize	1

--- Not available for individual sale.

* Only available for sale in pack of 10, part no. 24R835.



ti20483a

- ⚠ 1 Apply high temperature lubricant 24T156 to o-rings.
- ⚠ 2 Apply anti-seize lubricant to first 1/2 in. of threads. Torque to 28-32 in-lbs (3.2-3.6 N•m).

GRACO INC. AND SUBSIDIARIES • P.O. BOX 1441 • MINNEAPOLIS MN 55440-1441 • USA

Copyright 2012, Graco Inc. All Graco manufacturing locations are registered to ISO 9001.

407050, Revision E, September 2019

PROVEN QUALITY. LEADING TECHNOLOGY.