

Pressure Transducer Kits

407045D

EN

**To add a pressure transducer to an existing ProControl® 1KE system.
For professional use only.**



Important Safety Instructions

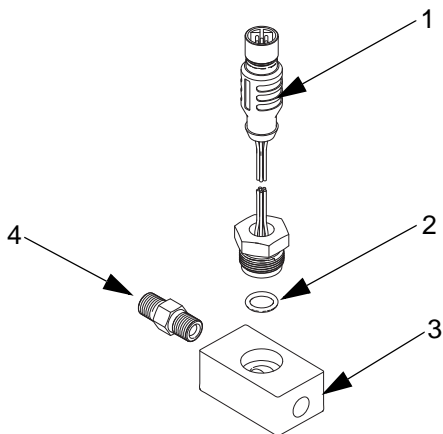
Read all warnings and instructions in your system manual. Save all instructions.

Kit 24P600, Low Pressure

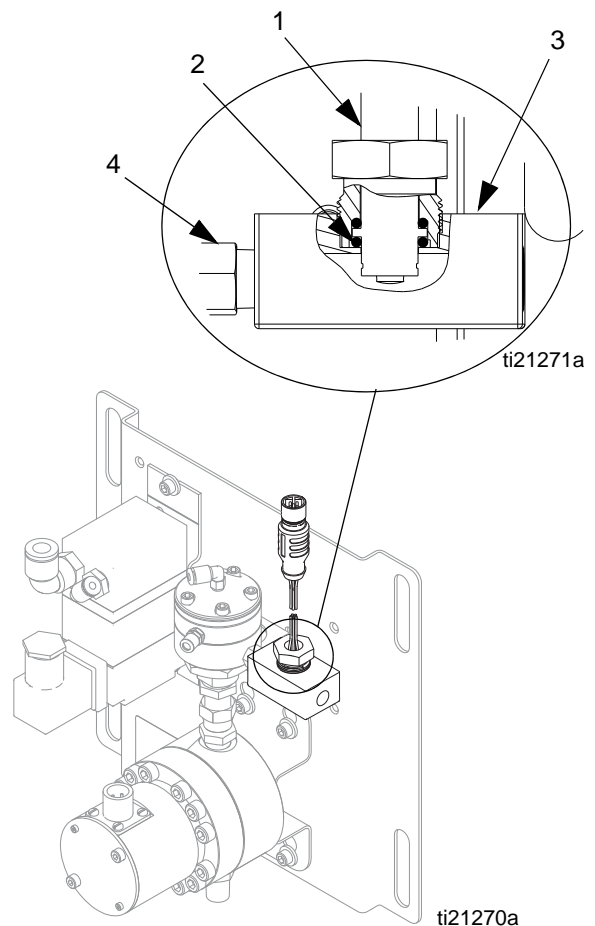
125 psi (0.86 MPa, 8.6 bar) maximum working pressure

Ref. Part	Description	Qty
1	----- TRANSDUCER, pressure, control	1
2	111316 O-RING	1
3	----- FITTING, pressure transducer, stainless steel, 1/8 npt (f) inlet, 1/8 npt(f) outlet	1
4	124843 FITTING, 1/8 npt(m), stainless steel	1

NOTE: Order Non-IS Cable 16V380 or IS Cable 16V381 to connect either the low-pressure or the high-pressure transducer to the ProControl 1KE.



ti21269a



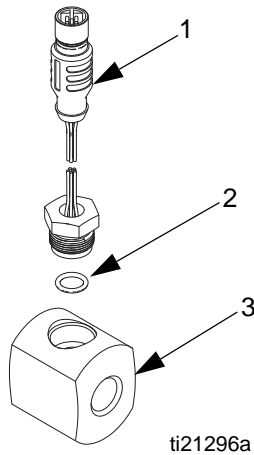
ti21270a

See reverse for high-pressure sensor.

Kit 24R906, High Pressure

7500 psi (51.7 MPa, 517 bar) maximum working pressure

Ref.	Part	Description	Qty
1	----	TRANSDUCER, pressure, control	1
2	111457	O-RING	1
3	16G410	FITTING, pressure transducer, stainless steel, 1/4 npt(f) inlet, 3/8 npt(f) outlet	1



All written and visual data contained in this document reflects the latest product information available at the time of publication. Graco reserves the right to make changes at any time without notice.

Original instructions. This manual contains English. MM 407045

Graco Headquarters: Minneapolis
International Offices: Belgium, China, Japan, Korea

GRACO INC. AND SUBSIDIARIES • P.O. BOX 1441 • MINNEAPOLIS MN 55440-1441 • USA

Copyright 2019, Graco Inc. All Graco manufacturing locations are registered to ISO 9001.

www.graco.com
Revision D, 10/2019