

# G3™ One-Piece Automatic Lubrication Pump

3A6319E

EN

*For dispensing of NLGI Grades #000 to #2 greases. For Professional Use Only.*

*Not approved for use in explosive atmospheres or hazardous (classified) locations.*

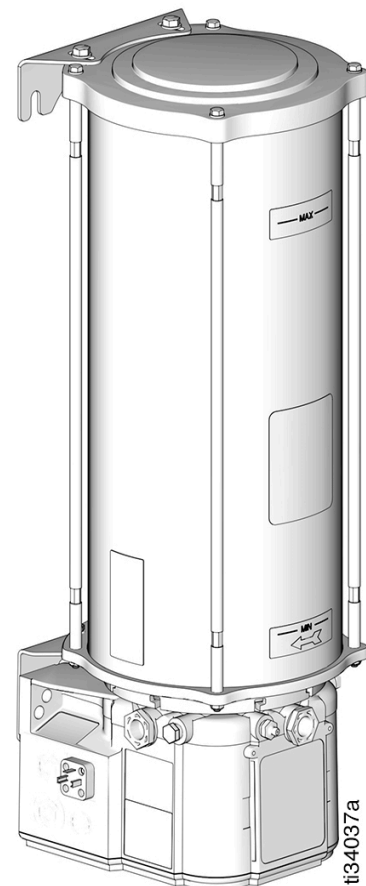
## Models, see page 3

5100 psi (35.1 MPa, 351.6 bar) Maximum Pump Output Pressure



### Important Safety Instructions

Read all warnings and instructions in this manual before using this equipment. Save these instructions.



# Contents

<b>Part / Model Numbers</b> .....	<b>3</b>
8 Liter Models .....	3
12 Liter Models .....	3
15 Liter Models .....	3
20 Liter Models .....	3
Understanding the Model Number .....	4
<b>Warnings</b> .....	<b>5</b>
<b>Component Identification</b> .....	<b>7</b>
8 Liter Model Shown .....	7
<b>Typical Installation</b> .....	<b>8</b>
Series Progressive Divider Valve .....	8
Injector Installations .....	9
<b>Installation</b> .....	<b>10</b>
Unpack .....	10
Choose an Installation Location .....	10
System Wiring .....	10
Fuses .....	10
Recommendations for Pump Usage in Harsh Environments .....	10
Wiring and Installation Diagrams .....	11
<b>Setup</b> .....	<b>12</b>
Pressure Relief Procedure .....	12
Connecting to Auxiliary Fittings .....	12
Pressure Relief Valves .....	12
Setting Pump Outlet Volume .....	13
Load Pump with Grease .....	13
Prime the Pump .....	14
<b>Operation</b> .....	<b>15</b>
Pump Operation .....	15
Low Level Output Option .....	15
<b>Maintenance</b> .....	<b>16</b>
Cleaning the Reservoir .....	16
Recycling and Disposal .....	16
End of Product Life .....	16
<b>Troubleshooting</b> .....	<b>17</b>
<b>Parts</b> .....	<b>18</b>
<b>Part No./Description</b> .....	<b>19</b>
Fuses .....	19
Pressure Relief Valves .....	20
Installation and Repair Kits .....	20
<b>Dimensions</b> .....	<b>21</b>
Mounting Bracket Dimensions .....	21
<b>Technical Specifications</b> .....	<b>22</b>
<b>California Proposition 65</b> .....	<b>23</b>
<b>Graco Standard Warranty</b> .....	<b>24</b>
Graco Information .....	24

# Part / Model Numbers

The Part Number is a six-digit unique number that is only used to order the G3 Pump. Directly related to this six-digit Part Number is the configured Graco Model Number. This configured number identifies the distinct features of a specific G3 Pump. To help with understanding each component that makes up the Model Number, see **Understanding the Model Number**, page 4. The tables below shows the relationship between each Part Number and its related Model Number.

## 8 Liter Models

Part	Model Numbers
96G500	G3-G-24NC-8LTA00-0D00L000

## 12 Liter Models

Part	Model Numbers
96G501	G3-G-24NC-12TA00-0D00L000

## 15 Liter Models

Part	Model Numbers
96G502	G3-G-24NC-15TA00-0D00L000

## 20 Liter Models

Part	Model Numbers
96G503	G3-G-24NC-20TA00-0D00L000

## Understanding the Model Number

Use the Code Sample provided below to identify each component's location in the Model Number. The options for each component that make up the code are provided on the lists below.

**NOTE:** Some pump configurations are not available. Contact Graco Customer Service or your local Graco distributor for assistance.

Code Sample:  $\frac{\text{G}}{\text{G}}$   $\frac{3}{3}$  -  $\frac{\text{G}}{\text{G}}$  -  $\frac{\text{a}}{\text{a}}$   $\frac{\text{a}}{\text{a}}$   $\frac{\text{b}}{\text{b}}$   $\frac{\text{b}}{\text{b}}$  -  $\frac{\text{c}}{\text{c}}$   $\frac{\text{c}}{\text{c}}$   $\frac{\text{d}}{\text{d}}$   $\frac{\text{e}}{\text{e}}$   $\frac{\text{f}}{\text{f}}$   $\frac{\text{f}}{\text{f}}$  -  $\frac{\text{g}}{\text{g}}$   $\frac{\text{h}}{\text{h}}$   $\frac{\text{i}}{\text{i}}$   $\frac{\text{j}}{\text{j}}$   $\frac{\text{k}}{\text{k}}$   $\frac{\text{m}}{\text{m}}$   $\frac{\text{n}}{\text{n}}$   $\frac{\text{p}}{\text{p}}$

**G3 - G = Identifies pump as being a G3; G = Grease**  
**G3 - A = Identifies pump as being a G3; A = Oil**

**Code aa: Power Source**

- 24 = 24 Volts DC

**Code bb: Operation Control**

- NC = No Controller

**Code cc: Reservoir Capacity (Liters)**

- 8L = 8 Liters
- 12 = 12 Liters
- 15 = 15 Liters
- 20 = 20 Liters

**Code d: Follower Plate Installed**

- T = Follower Plate Installed; Tie Rods

**Code e: Low Level Option**

- A = Low Level No Controller

**Code ff: Options**

- 00 = No Options

**Code g, h, i, j, k, m, n, p**

**NOTE:** Codes g - p relate to a specific location on the G3 pump. See Fig. 1 for these locations.

- D = DIN
- 0 = Not populated
- L = Low Level

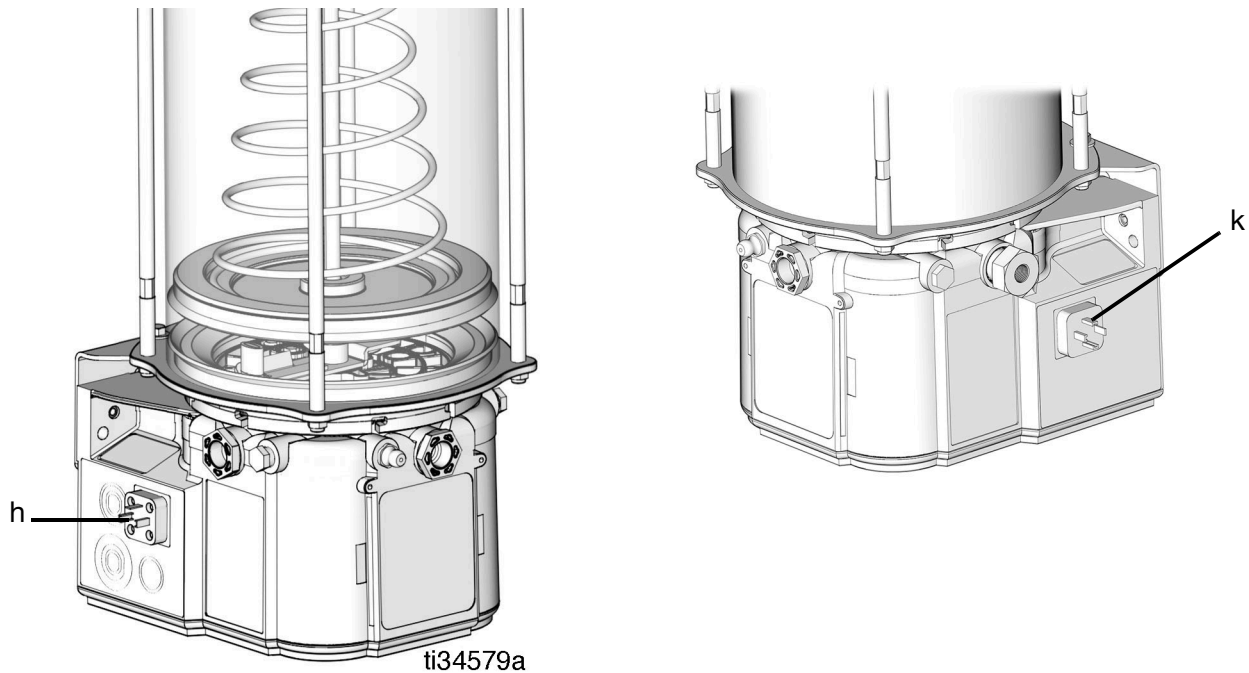












FIG. 1

# Warnings

The following warnings are for the setup, use, grounding, maintenance, and repair of this equipment. The exclamation point symbol alerts you to a general warning and the hazard symbols refer to procedure-specific risks. When these symbols appear in the body of this manual or on warning labels, refer back to these Warnings. Product-specific hazard symbols and warnings not covered in this section may appear throughout the body of this manual where applicable.

 <h1 style="margin: 0;">WARNING</h1>	
	<p><b>SKIN INJECTION HAZARD</b></p> <p>High-pressure fluid from dispensing device, hose leaks, or ruptured components will pierce skin. This may look like just a cut, but it is a serious injury that can result in amputation. <b>Get immediate surgical treatment.</b></p> <ul style="list-style-type: none"> <li>• Do not point dispensing device at anyone or at any part of the body.</li> <li>• Do not put your hand over the fluid outlet.</li> <li>• Do not stop or deflect leaks with your hand, body, glove, or rag.</li> <li>• Follow the <b>Pressure Relief Procedure</b> when you stop dispensing and before cleaning, checking, or servicing equipment.</li> <li>• Tighten all fluid connections before operating the equipment.</li> <li>• Check hoses and couplings daily. Replace worn or damaged parts immediately.</li> </ul>
	<p><b>PRESSURIZED EQUIPMENT HAZARD</b></p> <p>Over-pressurization can result in equipment rupture.</p> <ul style="list-style-type: none"> <li>• A pressure relief valve is required at each pump outlet.</li> <li>• Follow the <b>Pressure Relief Procedure</b> in this manual before servicing.</li> </ul>

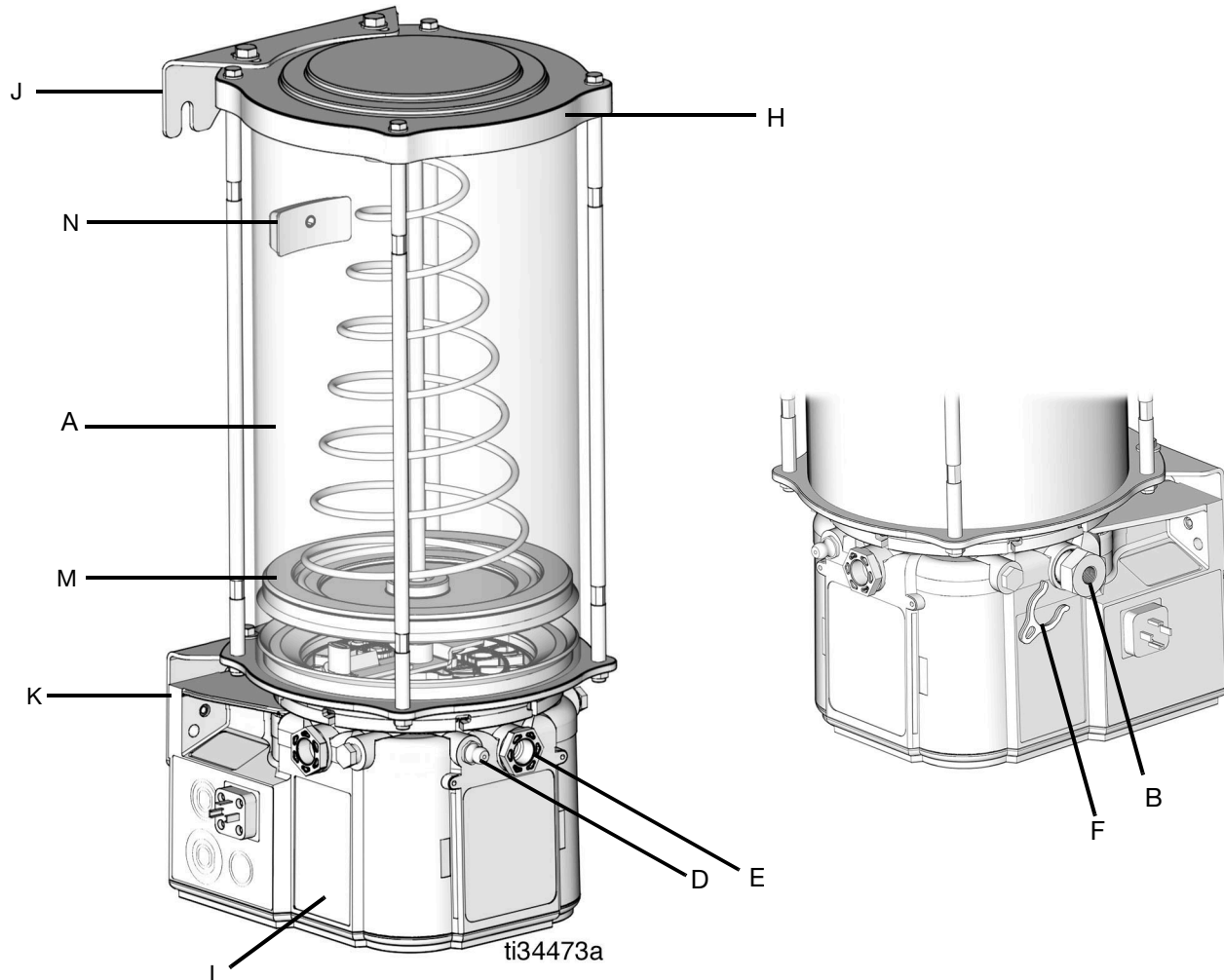
# **WARNING**

 	<p><b>EQUIPMENT MISUSE HAZARD</b></p> <p>Misuse can cause death or serious injury.</p> <ul style="list-style-type: none"> <li>• Do not operate the unit when fatigued or under the influence of drugs or alcohol.</li> <li>• Do not exceed the maximum working pressure or temperature rating of the lowest rated system component. See <b>Technical Specifications</b> in all equipment manuals.</li> <li>• Use fluids and solvents that are compatible with equipment wetted parts. See <b>Technical Specifications</b> in all equipment manuals. Read fluid and solvent manufacturer’s warnings. For complete information about your material, request Safety Data Sheets (SDSs) from distributor or retailer.</li> <li>• Turn off all equipment and follow the <b>Pressure Relief Procedure</b> when equipment is not in use.</li> <li>• Check equipment daily. Repair or replace worn or damaged parts immediately with genuine manufacturer’s replacement parts only.</li> <li>• Do not alter or modify equipment. Alterations or modifications may void agency approvals and create safety hazards.</li> <li>• Make sure all equipment is rated and approved for the environment in which you are using it.</li> <li>• Use equipment only for its intended purpose. Call your distributor for information.</li> <li>• Route hoses and cables away from traffic areas, sharp edges, moving parts, and hot surfaces.</li> <li>• Do not kink or over bend hoses or use hoses to pull equipment.</li> <li>• Keep children and animals away from work area.</li> <li>• Comply with all applicable safety regulations.</li> </ul>
 	<p><b>PLASTIC PARTS CLEANING SOLVENT HAZARD</b></p> <p>Many cleaning solvents can degrade plastic parts and cause them to fail, which could cause serious injury or property damage.</p> <ul style="list-style-type: none"> <li>• Use only compatible solvents to clean plastic structural or pressure-containing parts.</li> <li>• See <b>Technical Specifications</b> in all equipment manuals for materials of construction. Consult the solvent manufacturer for information and recommendations about compatibility.</li> </ul>
 	<p><b>MOVING PARTS HAZARD</b></p> <p>Moving parts can pinch, cut or amputate fingers and other body parts.</p> <ul style="list-style-type: none"> <li>• Keep clear of moving parts.</li> <li>• Do not operate equipment with protective guards or covers removed.</li> <li>• Equipment can start without warning. Before checking, moving, or servicing equipment, follow the <b>Pressure Relief Procedure</b> and disconnect all power sources.</li> </ul>
	<p><b>PERSONAL PROTECTIVE EQUIPMENT</b></p> <p>Wear appropriate protective equipment when in the work area to help prevent serious injury, including eye injury, hearing loss, inhalation of toxic fumes, and burns. Protective equipment includes but is not limited to:</p> <ul style="list-style-type: none"> <li>• Protective eyewear, and hearing protection.</li> <li>• Respirators, protective clothing, and gloves as recommended by the fluid and solvent manufacturer.</li> </ul>

# Component Identification

## 8 Liter Model Shown

See **Troubleshooting**, page 17 for expanded view.



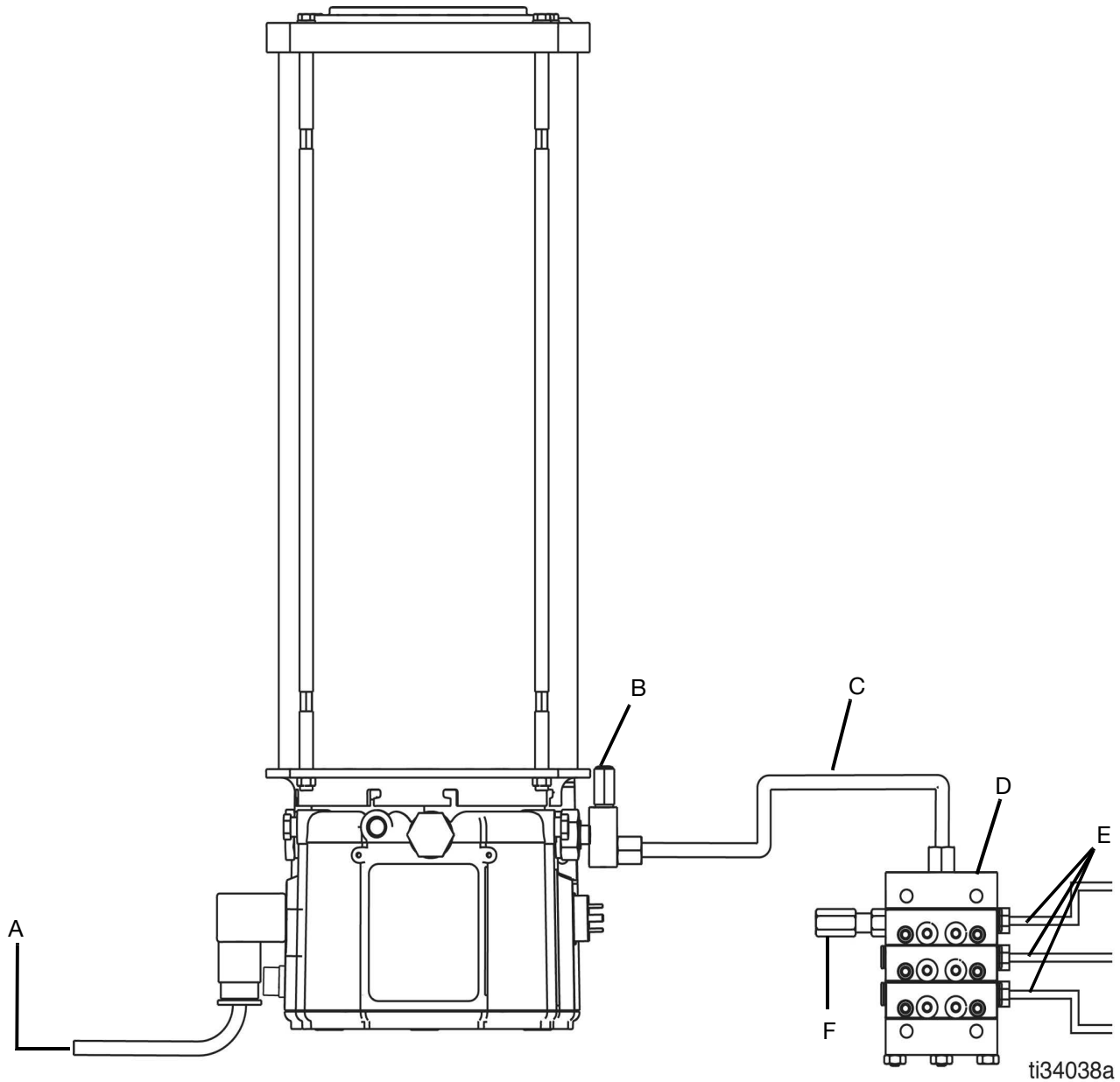
**FIG. 2**

### Key:

- |   |   |   |   |
|---|---|---|---|
| A | Reservoir   | H | Cover   |
| B | Pump Element (1 included. Can accommodate 3 total)  | J | Top Mounting Bracket  |
| C | Pressure Relief Valve (not shown. Not included / required for each outlet - Available from Graco. See <b>Pressure Relief Valves</b> , page 20.) | K | Bottom Mounting Bracket   |
| D | Zerk Inlet Fill Fitting (1 included / grease models only)   | L | Part Number / Model Number example only shown, (see pages 4, Understanding the Model Number, for details) |
| E | Pump Outlet Plug (2 included)   | M | Follower Plate  |
| F | Volume Control Spacers (2 included. More spacers = less output volume per stroke) (also see FIG. 9, page 13)                                    | N | Vent Port   |
| G | Fuse (DC models only - not included, not shown. Available from Graco. See <b>Parts</b> , page 18.)  |   |   |

# Typical Installation

## Series Progressive Divider Valve



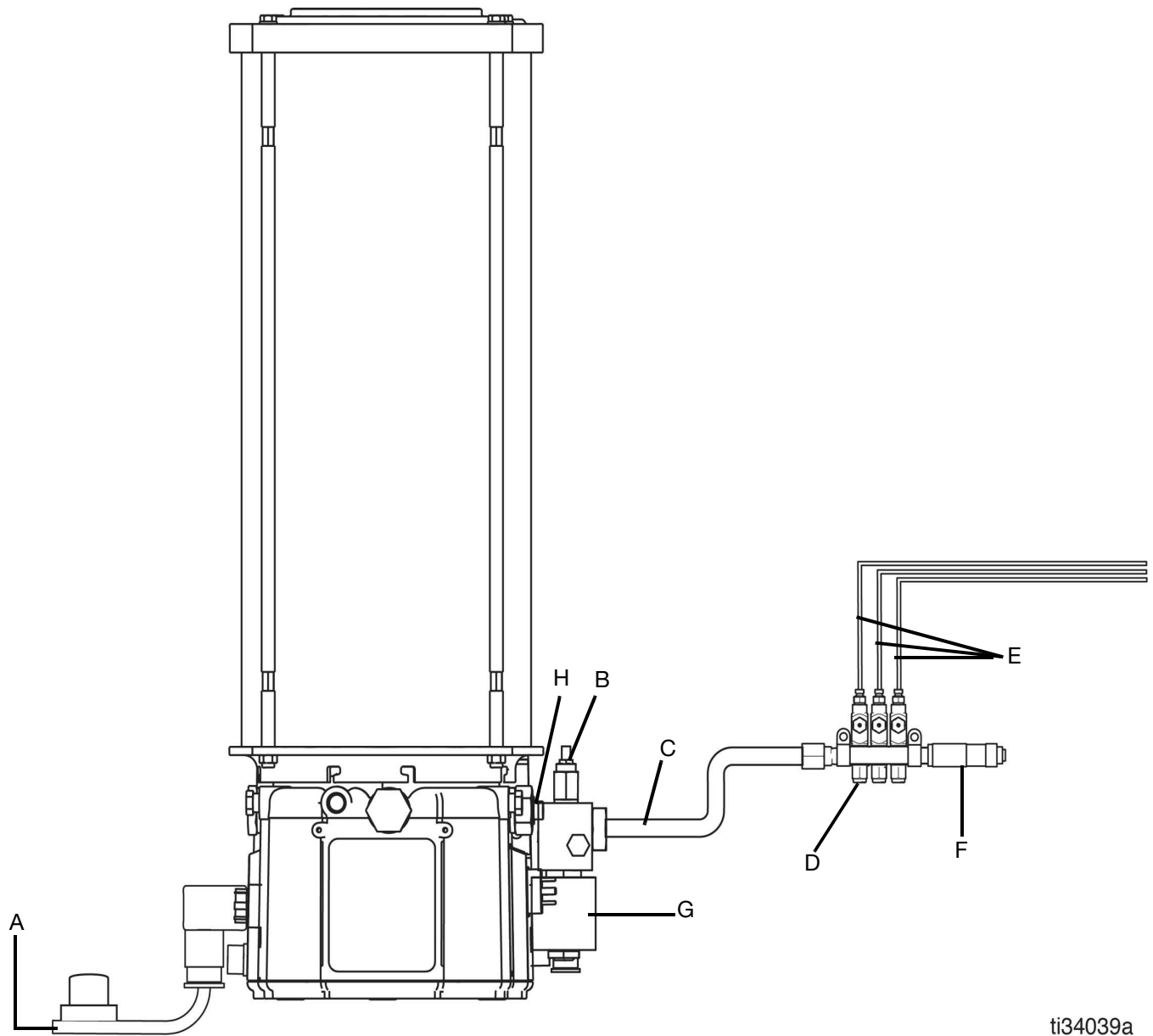
**FIG. 3**

### Key

- A Connected to fused power source
- B Pressure Relief Valve (not included; required for each outlet - user supplied)
- C Supply Hose (user supplied)
- D Series Progressive Divider Valves
- E To lube points
- F Proximity Switch



# Injector Installations



ti34039a

FIG. 4

**Key**

- A Connected to fused power source
- B Pressure Relief Valve (not included; required for each outlet - user supplied)
- C Supply Hose (user supplied)
- D Injectors
- E To lube points
- F Pressure Switch
- G Vent Valve (not included / available from Graco. See **Parts**, page 18.)
- H Return to reservoir

# Installation

## Unpack

<b>NOTICE</b>
To prevent equipment damage, observe precautions for handling electrostatic sensitive devices. Touch ground before handling pump.

The pump module was carefully packaged for shipment by Graco. When the package arrives, perform the following procedure to unpack the units:

1. Inspect the shipping box carefully for shipping damage. Contact the carrier promptly if damage is discovered.
2. Unseal the box and inspect the contents carefully. There should not be any damaged parts.
3. Compare the packing slip against all items included in the box. Any shortages or other inspection problems should be reported immediately.

## Choose an Installation Location

<b>AUTOMATIC SYSTEM ACTIVATION HAZARD</b>				
If the system is equipped with an automatic timer (user supplied) that activates the pump lubrication system when power is connected, or when exiting the programming function, unexpected activation of the system could result in serious injury, including skin injection and amputation.				
Before installation or removal of the lubrication pump from the system, disconnect and isolate all power supplies and relieve all pressure.				

- Select a location that adequately supports the weight of the G3 pump and lubricant, as well as all plumbing and electrical connections.
- Refer to the mounting hole layouts provided in **Mounting Bracket Dimensions**, page 21. No other installation configuration should be used.
- Use designated mounting holes and provided configurations only.

- Use the five (5) fasteners (included) to secure the G3 pump to the mounting surface. Three (3) fasteners are used for the bottom bracket and two (2) fasteners are used for the top bracket.
- Adjust top mounting bracket, if necessary, to align the bracket with the mounting surface (FIG. 5).
- Insert (user supplied) spacers if there is still a gap after adjusting the bracket.

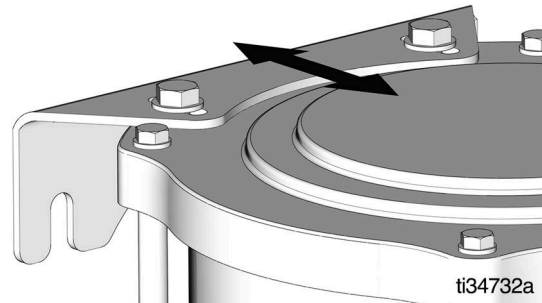


FIG. 5

## System Wiring

### Fuses

<b>NOTICE</b>
Fuses (user supplied) are required on all DC models. To avoid equipment damage:
<ul style="list-style-type: none"> <li>• Never operate G3 pump DC models without a fuse installed.</li> <li>• A fuse of the correct current rating must be installed in line with the power entry to the equipment.</li> </ul>

Fuse Kits are available from Graco. The table identifies the correct fuse to use for the input voltage and the corresponding Graco Kit number.

Input Voltage	Fuse Value	Graco Kit No.
24 VDC	4 A	571040

### Recommendations for Pump Usage in Harsh Environments

- If using a DIN style power or alarm harness with a right angle mating connector, make sure the connector does not exit the unit in the UP direction.
- Use a corrosion preventative electrical grease on all contacts.

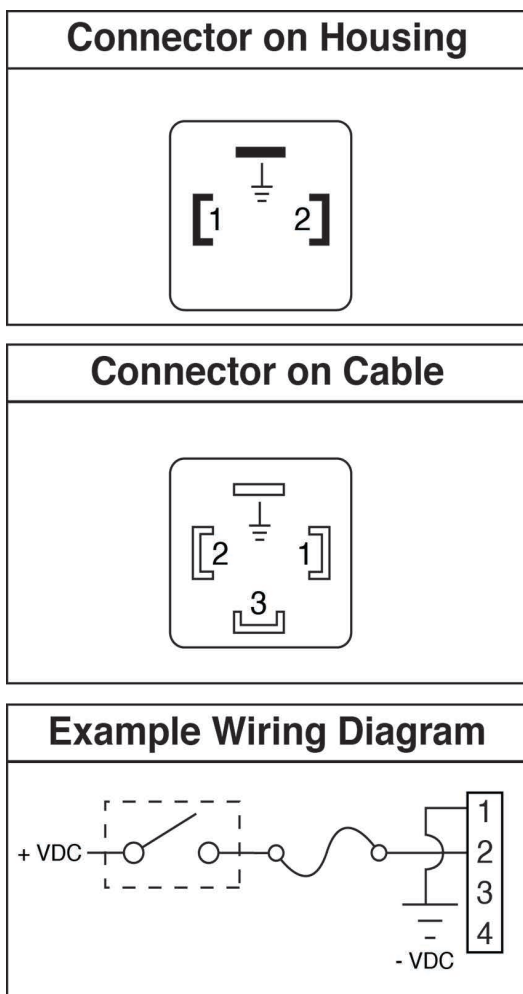
# Wiring and Installation Diagrams

The table identifies the wiring and installation diagrams for the cable included with the pump.

 **24 VDC Power DIN DC - 15 foot**

**Pin and Related Wire Color (FIG. 6)**

Pin	Pin Name	Color
1	-VDC	White with Blue
2	+VDC	Blue
3	Not Used	Not Used
	Not Used	Not Used



ti27631a

**FIG. 6**

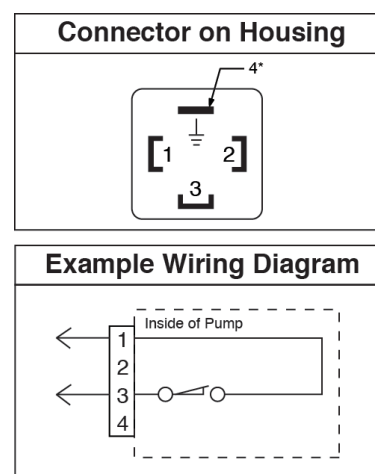


## Low Level Outputs

See **Low Level Output Option**, page 15 for functional description. See **Dimensions**, page 21 for ratings.

**Pins (FIG. 7)**

Pin	Pin Name
1	LL N.O.
2	Not Used
3	LL COM
4	Not Used



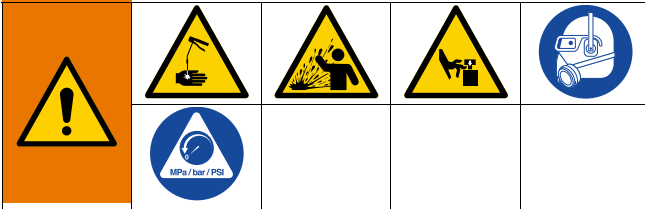
**FIG. 7**

# Setup

## Pressure Relief Procedure



Follow the Pressure Relief Procedure whenever you see this symbol.



This equipment stays pressurized until pressure is manually relieved. To help prevent serious injury from pressurized fluid, such as skin injection, splashing fluid and moving parts, follow the Pressure Relief Procedure when you stop dispensing and before cleaning, checking, or servicing the equipment.

Relieve pressure in system using two (2) wrenches working in opposite directions on the pump element and the pump element fitting, to slowly loosen only until fitting is loose and no more lubricant or air is leaking from fitting.

**NOTE:** When loosening the pump element fitting, do not loosen the pump element. Loosening the pump element changes the output volume.

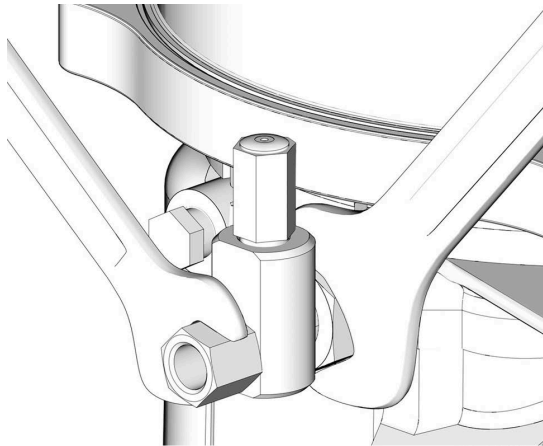


FIG. 8

## Connecting to Auxiliary Fittings



### NOTICE

Do not attach unsupported equipment to auxiliary fittings such as fill ports and pump element. Attaching unsupported equipment to these fitting can result in irreparable housing damage.

- Always use two (2) wrenches working in opposite directions when connecting anything to the pump element or auxiliary fittings. See FIG. 8 for an example.
- Torque the pump element fittings to 50 in-lb (5.6 N•m).
- When connecting pump element into housing, torque to 50 in-lb (5.6 N•m).

## Pressure Relief Valves



To prevent over-pressurization, which can result in equipment rupture and serious injury, a pressure relief valve appropriate for the lubrication system must be installed close to every pump outlet to alleviate unintended pressure rises in the system and protect the G3 pump from damage.

- Only use a pressure relief valve that is rated for no more than the working pressure of any component installed in the system.
- Install a pressure relief valve close to every pump outlet; before any auxiliary fitting.

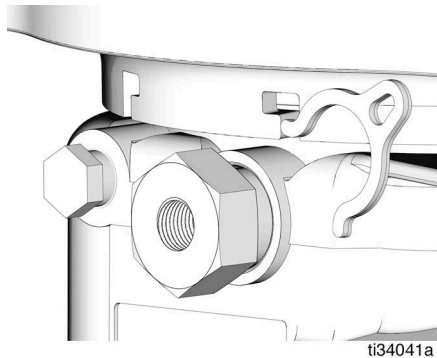
**NOTE:** A pressure relief valve can be purchased from Graco.

## Setting Pump Outlet Volume



**NOTE:**

- Before making adjustments to the pump volume, follow **Pressure Relief Procedure**, page 12.
  - Only use Graco supplied spacers to control output volume.
  - It may be necessary to repeat this outlet volume setup procedure after the pump is operating to re-adjust the volume of dispensed fluids.
1. Using a wrench, turn the pump element counter-clockwise to loosen. Do not remove the entire pump element, only back the pump element out enough to allow the spacer to be added or removed (FIG. 9).



**FIG. 9**

2. If needed, remove or insert spacers to achieve required pump output volume. A tool may be needed to facilitate removal.

Pump volume control is set using either no (0) spacers, one (1) spacer, or two (2) spacers (FIG. 9).

Do not use more than two (2) spacers to adjust output volume.

No. Spacers	Output Volume / Minute	
	cubic inches	cubic cm
2	0.12	2
1	0.18	3
0	0.25	4

3. Tighten the pump element fitting. Torque fitting to 50 in-lb (5.6 N•m).
- The amount of dispensed volume varies depending upon external conditions such as lubricant temperature and back pressure from downstream connections.
  - Use of these volume adjustments in conjunction with setting the ON time of the pump allows for control of the output volume.
  - Use these volume adjustments as a starting point and adjust, as necessary, to ensure desired lubrication dispense.

## Load Pump with Grease

To ensure optimal performance from the G3 pump:

- Only use NLGI #000 - #2 greases appropriate for the application, automatic dispensing, and the temperature. Consult with machine and lube manufacturer for details.
- The reservoir can be filled using a hand operated pump, pneumatic pump or electric transfer pump.
- Do not overfill.
- Do not operate the G3 pump without reservoir attached.

NOTICE
<ul style="list-style-type: none"> <li>• Always clean inlet fitting with a clean dry cloth prior to filling reservoir. Dirt and debris can damage pump and lubrication system.</li> <li>• Care must be used when filling the reservoir using a pneumatic or electric transfer pump to not pressurize and break the reservoir.</li> </ul>

1. Connect the fill hose to the inlet fitting.
2. For higher viscosity fluids, start pump to rotate stirring paddle during fill to prevent air pockets from forming. Do not exceed 30 minutes run time.

For models using an external controller, start pump operation per your controller specifications.

3. For the initial run, fill the pump with grease. After all of the air under the follower plate flows out through the nylon line, remove the nylon line along the transparent reservoir.

**NOTE:** Pull the nylon line as shown in FIG. 10 to avoid pulling the vent port off of the pump.

## Setup

- Continue filling until the follower plate reaches the Max label, which is slightly lower than the vent port (FIG. 10).

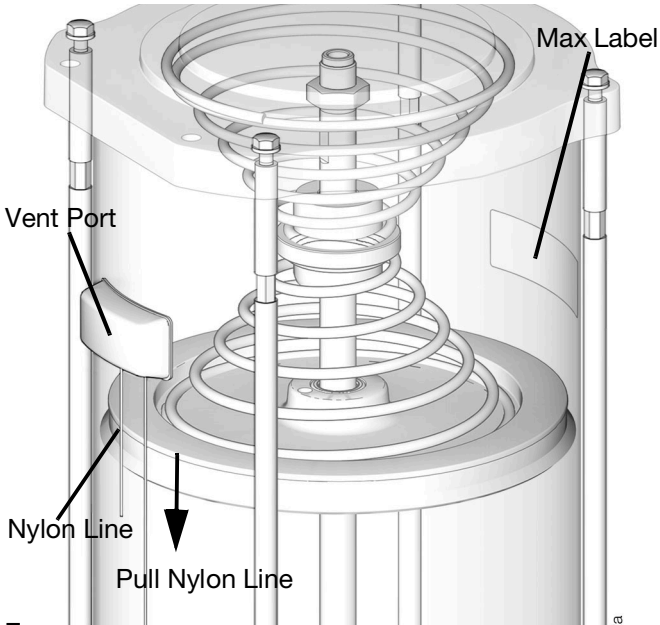


FIG. 10

**NOTE:** The vent port, located in the rear of reservoir, should not be used as an overfill port/indicator.

- Remove the fill hose.

## Prime the Pump

**NOTE:** It is not necessary to prime the pump every time it is filled with lubricant. The pump only requires priming the first time it is used or if it is allowed to run dry.

- Loosen pump element fitting (FIG. 11).

**NOTE:** When loosening the pump element fitting, do not loosen the pump element. Loosening the pump element changes the output volume.

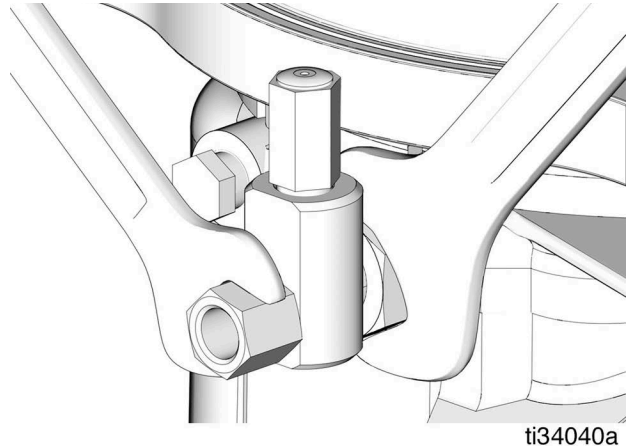


FIG. 11

- Only run the pump until air-free lubricant is dispensed out of the element fitting (FIG. 12).

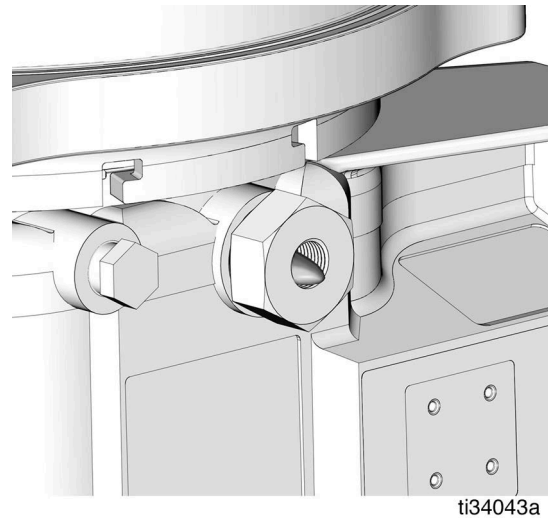


FIG. 12

- Tighten the pump element fitting using two (2) wrenches working in opposite directions (FIG. 11).

# Operation

## Pump Operation

The G3 pump can be controlled using an external, user supplied, power source and controller.

Refer to **Typical Installation**, page 8 for correct location of the required fuses.

**NOTE:**

- When using an external power source and controller, Pump ON (Run) Time should be set for no longer than 30 minutes.
- In most cases, Pump OFF (Rest) Time should be twice as long as Pump ON (Run) time. If alternative ON / OFF times are required, contact Graco Customer Service for assistance.

### Low Level Output Option

Some G3 pumps without controllers include a Low Level Output Option. The low level signal is monitored across PINS 3 and 4. For PIN 3 and 4 locations and wiring information see the **Low Level Outputs**, page 11.

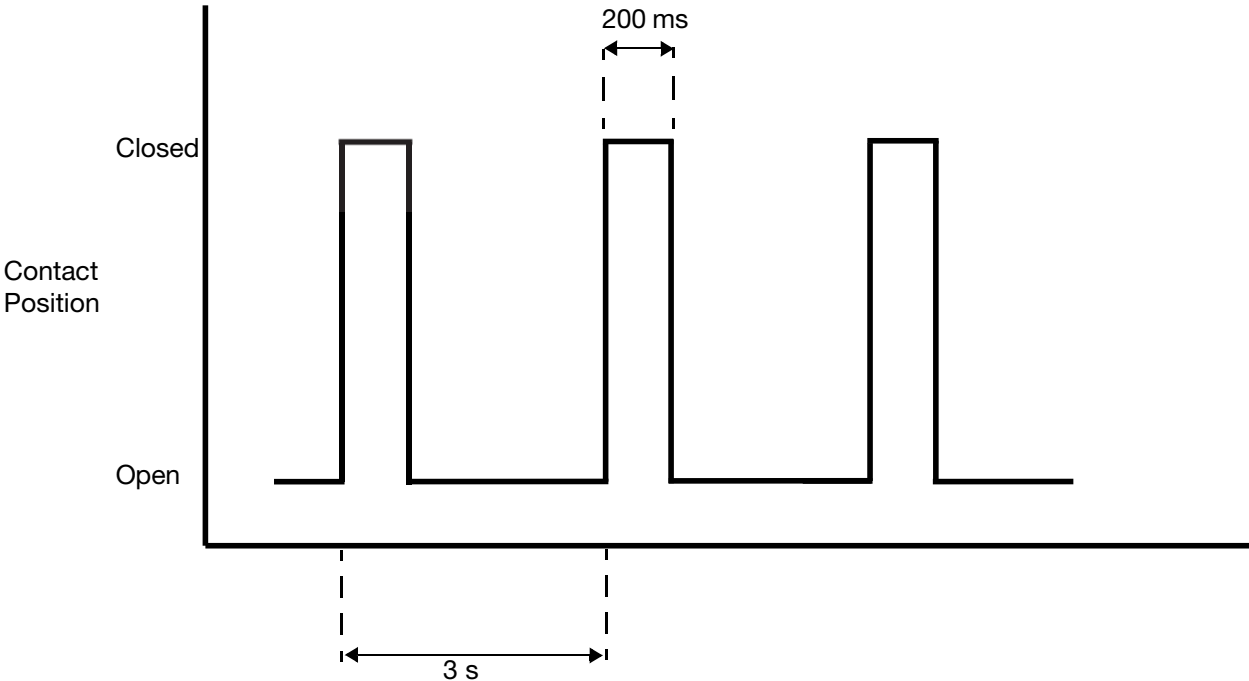
**NOTE:** A low level warning is triggered when the controller detects PINS 3 and 4 have momentarily closed.

When the grease level has reached a low warning level, PINS 3 and 4 momentarily close (one (1) time per paddle revolution) sending the signal that the fluid has reached a low level to the controller.

To ensure that a low level condition has been met, three (3) or more low level triggers must be detected within one (1) minute or less.

See FIG. 13 for an illustration of a typical Low Level Output response to low grease level.

**Typical Low Level Output Response with Low Level Fluids**



**FIG. 13**

# Maintenance

Frequency	Component	Required Maintenance
Daily and at refill	Zerk Fittings	Keep all fittings clean using a clean dry cloth. Dirt and debris can damage pump and lubrication system.
Daily	G3 Pump Unit and Reservoir	Keep pump unit and reservoir clean using a clean dry cloth.
Monthly	External Wiring Harness	Verify external harnesses are secure.

## Cleaning the Reservoir



Only use water or solvents compatible with polycarbonate to clean reservoir.

<b>NOTICE</b>
Most solvents will degrade the polycarbonate reservoir and cause it to fail.

## Recycling and Disposal

### End of Product Life

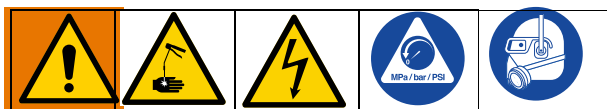
At the end of the product's useful life, dismantle and recycle it in a responsible manner.

- Perform the **Pressure Relief Procedure**, page 12.
- Drain and dispose of fluids according to applicable regulations. Refer to the material manufacturer's Safety Data Sheet.
- Remove motors, circuit boards, LCDs (liquid crystal displays), and other electronic components. Recycle according to applicable regulations.
- Do not dispose of electronic components with household or commercial waste.
- Deliver remaining product to a recycling facility.



# Troubleshooting

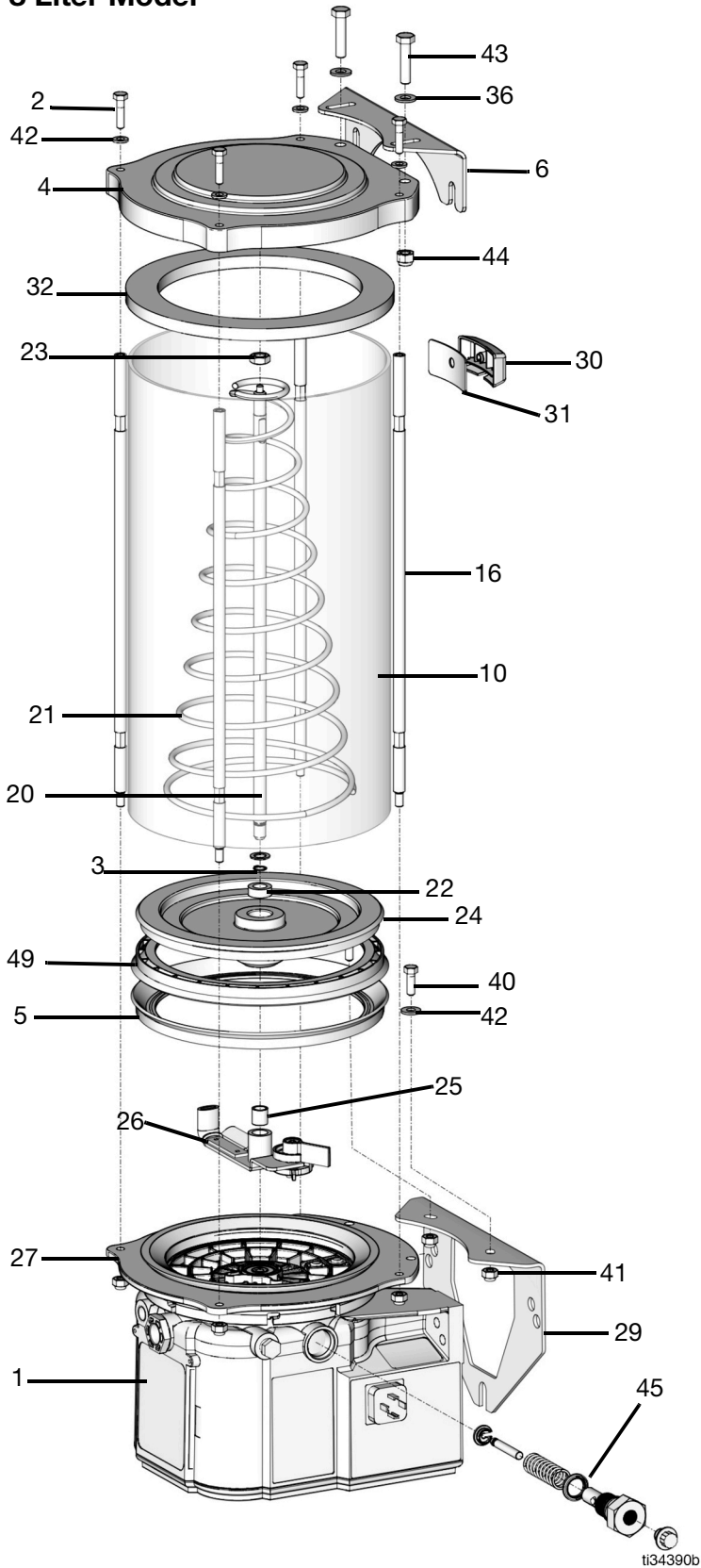
Follow the **Pressure Relief Procedure**, page 12 before checking or repairing the equipment.



Problem	Cause	Solution
Unit does not power on	Incorrect/loose wiring	Refer to <b>Installation</b> instructions, page 10.
Unit does not power on (DC models only)	Tripped external fuse due to internal component failure	Contact Graco Customer Service.
	Tripped external fuse due to pumping non-cold weather lubricant in cold weather -13°F (-25°C)	Replace lubricant with pumpable lubricant, rated for environmental conditions and application.  Replace fuse.
Lubricant leaks past seal located on the bottom of the reservoir	Reservoir retaining tabs are cracked or broken	Replace reservoir.
	Reservoir is being pressurized during filling	Ensure vent port is not plugged.  If problem persists, contact Graco Customer Service or your local Graco distributor for assistance.
Unit not pumping during ON cycle, but controller lights and functions	Failed motor	Replace unit.
Follower plate is not going down	Air is trapped in the reservoir between the follower plate and lubricant	Add grease following <b>Load Pump with Grease</b> instructions, page 13. Ensure air is purged.
Pump takes several minutes before it begins pumping at the highest pump volume setting (no stroke adjust spacers installed)	Pumping non-cold weather lubricant in cold weather -13°F (-25°C)	Add 1 stroke adjust spacer and adjust lube cycle time to accommodate the difference in pump volume per stroke.
After wiring and installing equipment pump is not working	Pump wired backwards	Rewire pump. See <b>Wiring and Installation Diagrams</b> , page 11.

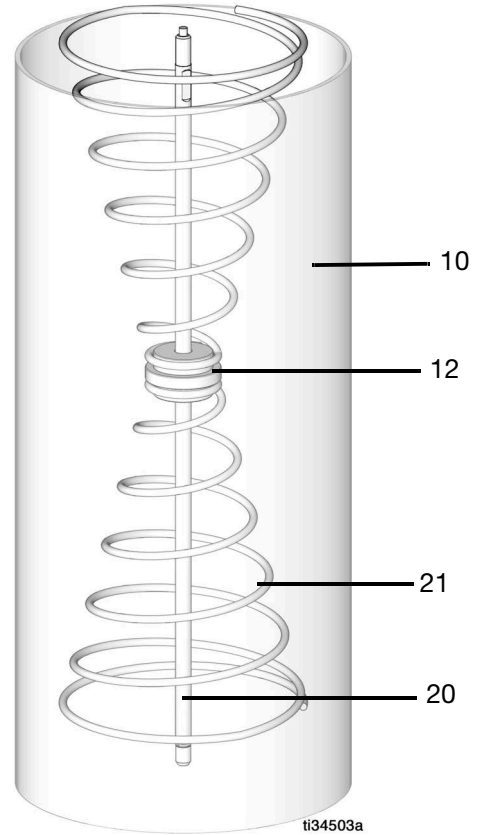
# Parts

## 8 Liter Model



## Reservoir for 12 Liter and Larger Models

(See 8 Liter Model for all other parts)



**Part No./Description**

Ref	Part	Description	Qty.
1		BASE, three pump housing	1
2		SCREW< cap, hex head	4
3		RING, snap	1
4		COVER	1
5	17S695	SEAL, reservoir	1
6		BRACKET, top	1
10		RESERVOIR, 8L	1
		RESERVOIR, 12L	1
		RESERVOIR, 15L	1
		RESERVOIR, 20L	1
12		SLEEVE (12L and larger, only)	1
16		ROD, support, 8L	4
		ROD, support, 12L	4
		ROD support, 15L	4
		ROD, support, 20L	4
20		ROD, guide, 8L	1
		ROD, guide, 12L	1
		ROD, guide, 15L	1
		ROD, guide, 20L	1
21		SPRING B, compression, 8L	1
		SPRING A, compression, 12L	2
		SPRING A, compression, 15L	2
		SPRING B, compression, 20L	2
22	19B457	SEAL, grease, 16 mm id	1
23		NUT	1
24		Plate, follower	1
25		BEARING, sleeve	1
26		PLATE, wiper arm	1
27		Adapter, base, reservoir	1
29		BRACKET, bottom	1
30		COVER, vent	1
31		GASKET, vent cover	1
32		SEAL, top, foam	1
36		WASHER, flat	2
38		SPACER, pump shim (not shown)	2
39		PARTS, bracket mounting (bagged)	1
40		SCREW, cap, hex head	2
41		NUT, jam, Ny-loc	6
42		WASHER, plain	6
43		SCREW, M8, 35 mm	2
44		NUT, M8	2
45	571041	KIT, pump element	1
46	16U790	CABLE, DIN-bare	1
47▲		LABEL, safety	1
48	24M479	VALVE, vent	1
49	26D803	SEAL	1

▲ Replacement Danger and Warning labels, tags and cards are available at no cost.

**Fuses**

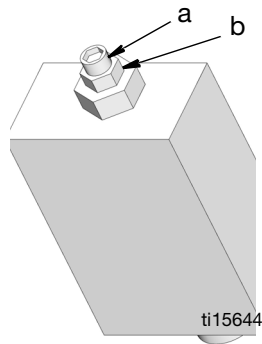
Part	Description	Qty.
571040	FUSE, 24 volt DC	1

## Pressure Relief Valves

Important Information regarding Pressure Relief Valve 16C807.

◆ Pressure Relief Valve 16C807 can only be used on the G3 pump. It is not intended for use with any other products.

The pressure relief valve uses a pressure adjustment screw (a) to set the pressure release point. It is not intended as a way to relieve pressure during normal operation, but as a protective measure in the event there is an unintended pressure increase in the system. Do not use this pressure relief valve as a means of relieving pressure in day-to-day, normal cycle operation.



a = adjustment screw  
b = locking nut

The pressure adjustment screw will require periodic adjustments.

Whenever the valve is set/adjusted (after the set point is found) it is important to ensure that the valve is not bottomed out and there is at least 1/2 turn of adjustment remaining. This is determined by turning the screw (a) 1/2 turn and then back turning it out again.

**NOTE:** Turning adjustment screw (a) clockwise increases pressure.

## Installation and Repair Kits

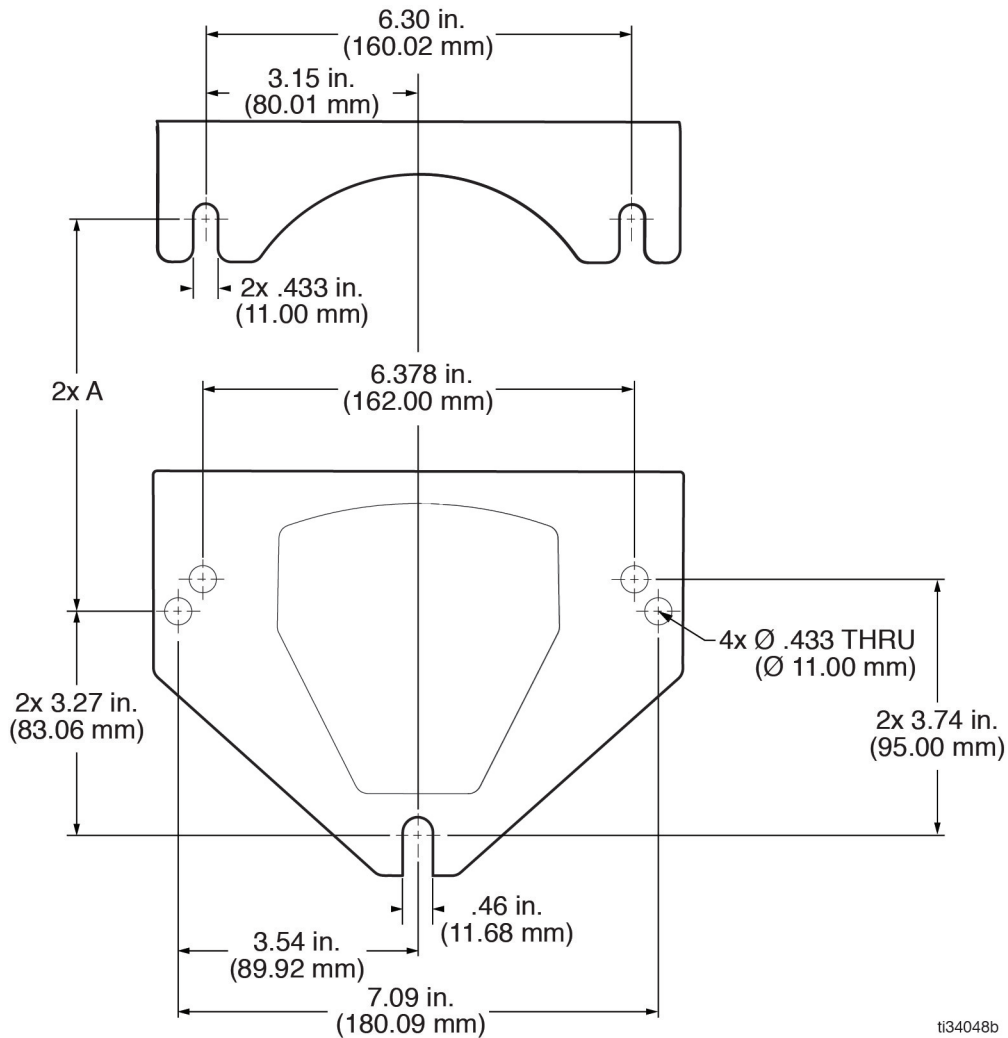
Kit No.	Description	Manual Number
571026	KIT, output union, 3 pump	3A0523
571063	KIT, output union, 2 pump	
571028	KIT, return to reservoir npt, includes pressure relief valve 16C807	3A0525
571071	KIT, return to reservoir bspp, includes pressure relief valve 16C807	
571058	KIT, output adapter, npt	3A0522
571070	KIT, output, adapter, bspp	
571060	KIT, fill, zerk, leakproof	NA
25E455	KIT, repair, reservoir 8 liter	3A6385
25E456	KIT, repair, reservoir, 12 liter	
25E457	KIT, repair, reservoir 16 liter	
25E458	KIT, repair, reservoir, 20 liter	
25E485	KIT, mounting hardware	NA

Part	Description	Qty
16C807◆	VALVE, pressure relief, 500-3500 psi (3.44 MPa, 34.4 bar - 24.1 MPa, 241 bar), Set pressure 3000 psi $\pm$ 10% (20.68 MPa, 206.8 bar $\pm$ 10%) Included in Kit 571028	1
563156	VALVE, pressure relief, 750 psi (5.17 MPa, 51.71 bar)	1
563157	VALVE, pressure relief, 1000 psi (6.89 MPa, 68.95 bar)	1
563158	VALVE, pressure relief, 1500 psi (10.34 MPa, 103.42 bar)	1
563159	VALVE, pressure relief, 2000 psi (13.78 MPa, 137.89 bar)	1
563160	VALVE, pressure relief, 2500 psi (17.23 MPa, 172.36 bar)	1
563161	VALVE, pressure relief, 3000 psi (20.68 MPa, 206.84 bar)	1
563190	VALVE, pressure relief, 5500 psi (37.92 MPa, 379.21 bar)	1

# Dimensions

Model	Height		Width		Depth	
	Inches	cm	Inches	cm	Inches	cm
8L	22.34	56.74	8.94	22.70	10.37	26.34
12L	27.34	69.44	8.94	22.70	10.37	26.34
15L	30.99	78.71	8.94	22.70	10.37	26.34
20L	37.09	94.21	8.94	22.70	10.37	26.34

## Mounting Bracket Dimensions



ti34048b

Model	A	
	Inches	mm
8 L	16.22	412.0
12L	21.22	539.0
15L	24.87	631.7
20L	30.97	786.6

# Technical Specifications

<b>G3 One-Piece Automatic Lubrication Pump</b>		
	<b>US</b>	<b>Metric</b>
Pump Output Pressure	5100 psi	35.1 MPa, 351.6 bar
<b>Power</b>		
24 VDC	18 - 30 VDC; 2.5 A current, 60 W, inrush/locked rotor 6 A	
<b>Outputs - Low Level (Dry Contact)</b>		
Contact Rating	10 Watts Maximum	
Switch Rating	200 VDC Maximum	
Switching Current	0.5 A Maximum	
Carry Current	1.2 A Maximum	
Fluid	Grease NLGI 000 - #2	
Pumps	Up to 3	
<b>Pump Output</b>		
2 spacers per outlet	0.12 in. <sup>3</sup> /minute	2 cm <sup>3</sup> / minute
1 spacer per outlet	0.18 in. <sup>3</sup> / minute	3 cm <sup>3</sup> / minute
0 spacers per outlet	0.25 in. <sup>3</sup> / minute	4 cm <sup>3</sup> / minute
Pump Outlet	1/4-18 npsf. Mates with 1/4-18 npt male fittings	
<b>Weight</b>		
8 Liter Models	25.1 lb	11.39 kg
12 Liter Models	27.3 lb	12.38 kg
15 Liter Models	28.5 lb	12.93 kg
20 Liter Models	31.1 lb	14.11kg

# California Proposition 65

## CALIFORNIA RESIDENTS

 **WARNING:** Cancer and reproductive harm – [www.P65warnings.ca.gov](http://www.P65warnings.ca.gov).

# Graco Standard Warranty

Graco warrants all equipment referenced in this document which is manufactured by Graco and bearing its name to be free from defects in material and workmanship on the date of sale to the original purchaser for use. With the exception of any special, extended, or limited warranty published by Graco, Graco will, for a period of twelve months from the date of sale, repair or replace any part of the equipment determined by Graco to be defective. This warranty applies only when the equipment is installed, operated and maintained in accordance with Graco's written recommendations.

This warranty does not cover, and Graco shall not be liable for general wear and tear, or any malfunction, damage or wear caused by faulty installation, misapplication, abrasion, corrosion, inadequate or improper maintenance, negligence, accident, tampering, or substitution of non-Graco component parts. Nor shall Graco be liable for malfunction, damage or wear caused by the incompatibility of Graco equipment with structures, accessories, equipment or materials not supplied by Graco, or the improper design, manufacture, installation, operation or maintenance of structures, accessories, equipment or materials not supplied by Graco.

This warranty is conditioned upon the prepaid return of the equipment claimed to be defective to an authorized Graco distributor for verification of the claimed defect. If the claimed defect is verified, Graco will repair or replace free of charge any defective parts. The equipment will be returned to the original purchaser transportation prepaid. If inspection of the equipment does not disclose any defect in material or workmanship, repairs will be made at a reasonable charge, which charges may include the costs of parts, labor, and transportation.

**THIS WARRANTY IS EXCLUSIVE, AND IS IN LIEU OF ANY OTHER WARRANTIES, EXPRESS OR IMPLIED, INCLUDING BUT NOT LIMITED TO WARRANTY OF MERCHANTABILITY OR WARRANTY OF FITNESS FOR A PARTICULAR PURPOSE.**

Graco's sole obligation and buyer's sole remedy for any breach of warranty shall be as set forth above. The buyer agrees that no other remedy (including, but not limited to, incidental or consequential damages for lost profits, lost sales, injury to person or property, or any other incidental or consequential loss) shall be available. Any action for breach of warranty must be brought within two (2) years of the date of sale.

**GRACO MAKES NO WARRANTY, AND DISCLAIMS ALL IMPLIED WARRANTIES OF MERCHANTABILITY AND FITNESS FOR A PARTICULAR PURPOSE, IN CONNECTION WITH ACCESSORIES, EQUIPMENT, MATERIALS OR COMPONENTS SOLD BUT NOT MANUFACTURED BY GRACO.** These items sold, but not manufactured by Graco (such as electric motors, switches, hose, etc.), are subject to the warranty, if any, of their manufacturer. Graco will provide purchaser with reasonable assistance in making any claim for breach of these warranties.

In no event will Graco be liable for indirect, incidental, special or consequential damages resulting from Graco supplying equipment hereunder, or the furnishing, performance, or use of any products or other goods sold hereto, whether due to a breach of contract, breach of warranty, the negligence of Graco, or otherwise.

## **FOR GRACO CANADA CUSTOMERS**

The Parties acknowledge that they have required that the present document, as well as all documents, notices and legal proceedings entered into, given or instituted pursuant hereto or relating directly or indirectly hereto, be drawn up in English. Les parties reconnaissent avoir convenu que la rédaction du présente document sera en Anglais, ainsi que tous documents, avis et procédures judiciaires exécutés, donnés ou intentés, à la suite de ou en rapport, directement ou indirectement, avec les procédures concernées.

## Graco Information

For the latest information about Graco products, visit [www.graco.com](http://www.graco.com).

**TO PLACE AN ORDER**, contact your Graco distributor or call to identify the nearest distributor.

**Phone:** 612-623-6928 **or Toll Free:** 1-800-533-9655, **Fax:** 612-378-3590

*All written and visual data contained in this document reflects the latest product information available at the time of publication. Graco reserves the right to make changes at any time without notice.*

Original instructions. This manual contains English. MM 3A6319

**Graco Headquarters:** Minneapolis

**International Offices:** Belgium, China, Japan, Korea

**GRACO INC. AND SUBSIDIARIES • P.O. BOX 1441 • MINNEAPOLIS MN 55440-1441 • USA**  
**Copyright 2018, Graco Inc. All Graco manufacturing locations are registered to ISO 9001.**

[www.graco.com](http://www.graco.com)  
Revision E, July 2022