

## Air Valve Conversion Kits 17W667 and 17W668 for Glutton Pumps

3A5801C

EN

*Conversion kit to replace legacy Glutton air valves, pilot valves, and mufflers.*



### IMPORTANT SAFETY INSTRUCTIONS

For detailed information and warnings, see instruction manual 307843 included with the Air-Powered Glutton Pump.

Follow these instructions to replace legacy Glutton air valves, pilot valves, and mufflers with the latest Graco air valve technology.

### Pressure Relief Procedure

 <b>WARNING</b>			
			
<p>This equipment stays pressurized until pressure is manually relieved. To help prevent serious injury, including skin injection or splashing in the eyes or on the skin, follow the <b>Pressure Relief Procedure</b> when you stop pumping and before you clean, check, or service the equipment.</p>			

1. Shut off the air supply to the pump.
2. Hold a metal part of the gun (if used) to a grounded metal pail. Trigger the gun to relieve the pressure.
3. Open all fluid valves in the system, having a waste container ready to catch the drainage. Leave the drain valves open until you are ready to return to operation.

### Remove Existing Parts

1. Remove the air line from the inlet of the existing air valve.
2. Cut the pilot signal tubes that run from the air valve to the two pilot valves on each side of the pump.
3. Remove the air valve using a 4mm hex wrench.
4. Remove both existing pilot valves using a 4mm hex wrench.

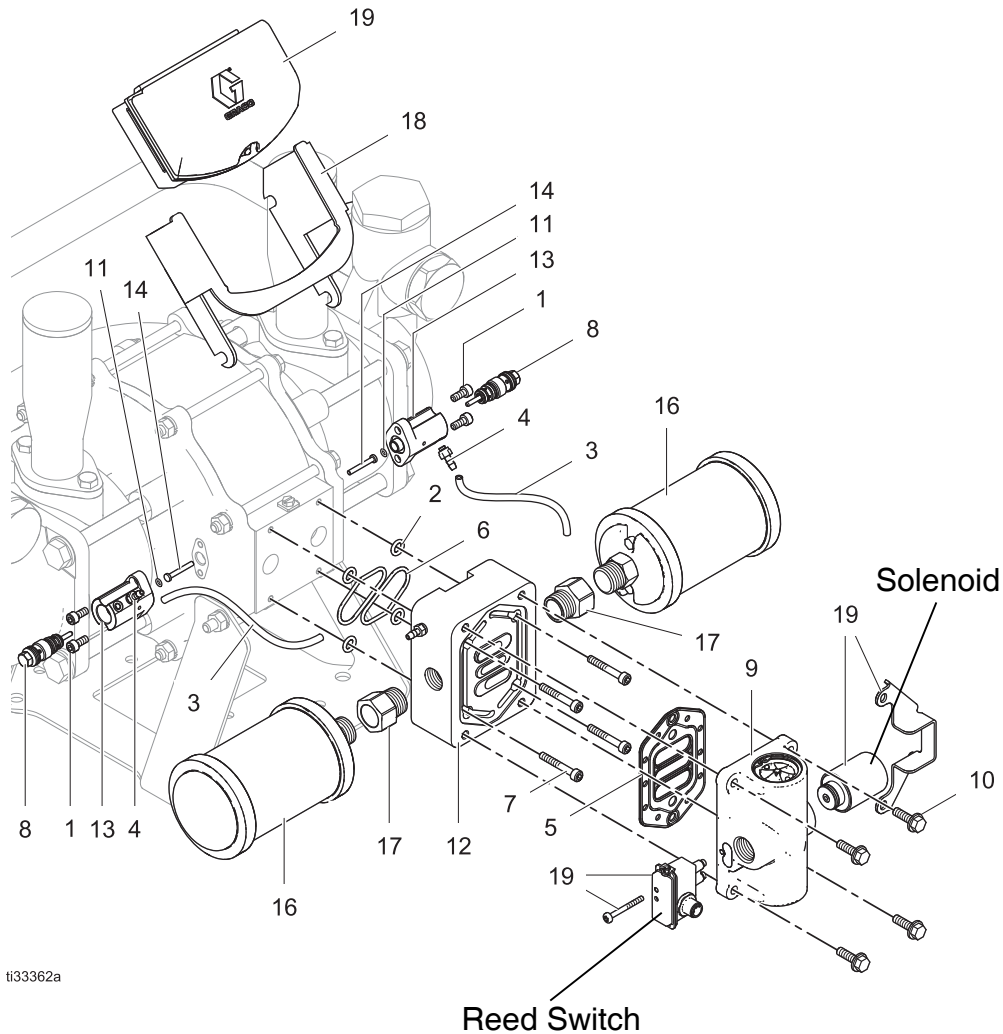
### Kit 17W667, Standard

### Kit 17W668: Advanced (with DataTrak monitoring and runaway protection)

### Install the New Air Valve

1. Install the adapter block.
  - a. Install the four o-rings (2) that seal the mounting bolts onto the adapter block. If needed, use grease to hold the o-rings in place.
  - b. Install the two o-rings (6) that seal the air ports by stretching them into the groove around each port of the adapter block. If needed, use grease to hold the o-rings in place.
  - c. Attach the adapter block to the center section of the Glutton using four M5 x 35mm screws (7). Torque to 26-44 in-lb (3-5 N•m).
2. Install the air valve.
  - a. Place the air valve gasket (5) into the adapter block. If needed, use grease to hold the gasket in place.
  - b. For advanced models, install the reed switch and solenoid.
  - c. Attach the air valve to the block with four M6 bolts (10). Torque to 100-120 in-lb (11-14 N•m).
3. Attach the two pilot valve assemblies to the Glutton center section.
  - a. Grease and install the pilot extension (14) into the center section.
  - b. Install the pilot o-ring (11) onto the pilot adapter.
  - c. Install the pilot adapter using the screws (1) and a 4mm hex wrench. Torque to 26-44 in-lb (3-5 N•m).
  - d. Install the pilot valve by hand, then tighten with a 10mm hex wrench. Torque to 100-120 in-lb (11-14 N•m).
4. Install the pilot signal tubes (3) between the pilot adapter housing and the valve adapter block. Apply a small amount of grease on the barbs when installing the hoses.
5. Install the new adapters (13) and mufflers (16) and torque by hand.
6. Re-plumb the incoming airline.

## Parts



Ref	Part	Description	Qty
1	-----	SCREW, cap, sch	4
2	-----	PACKING, o-ring	4
3	-----	TUBE	2
4	-----	FITTING, barb	4
5	-----	GASKET, air valve, medium	1
6	-----	PACKING, o-ring	2
7	-----	SCREW, shcs, M5 X 35	4
8	-----	VALVE, pilot	2
9	17H316	VALVE, air, medium, Advanced (with DataTrak) (17W668)	1
	17H317	VALVE, air, medium, Standard (17W667)	1

Ref	Part	Description	Qty
10	-----	SCREW, M6 x 25, thread forming	4
11	-----	PACKING, o-ring	2
12	-----	MANIFOLD, block	1
13	-----	HOUSING, valve	2
14	-----	PIN, valve, pilot	2
16	-----	MUFFLER	2
17	-----	FITTING, adapter, 1/2 npt x 1/2 nptf	2
18	17U948	BRACKET, DataTrak, mount (17W668)	1
19	24X309	KIT, DataTrak, 350 cc (17W668)	1

GRACO INC. AND SUBSIDIARIES • P.O. BOX 1441 • MINNEAPOLIS MN 55440-1441 • USA

Copyright 2018, Graco Inc. All Graco manufacturing locations are registered to ISO 9001.

3A5801, Revision C, January 2020