



## 4 Channel Upgrade Kit for InvisiPac™ Hot Melt Delivery Systems

---

3A4404D

EN

*For upgrading a 2 channel system to a 4 channel system. For professional use only.  
Not approved for use in explosive atmospheres or hazardous locations.*



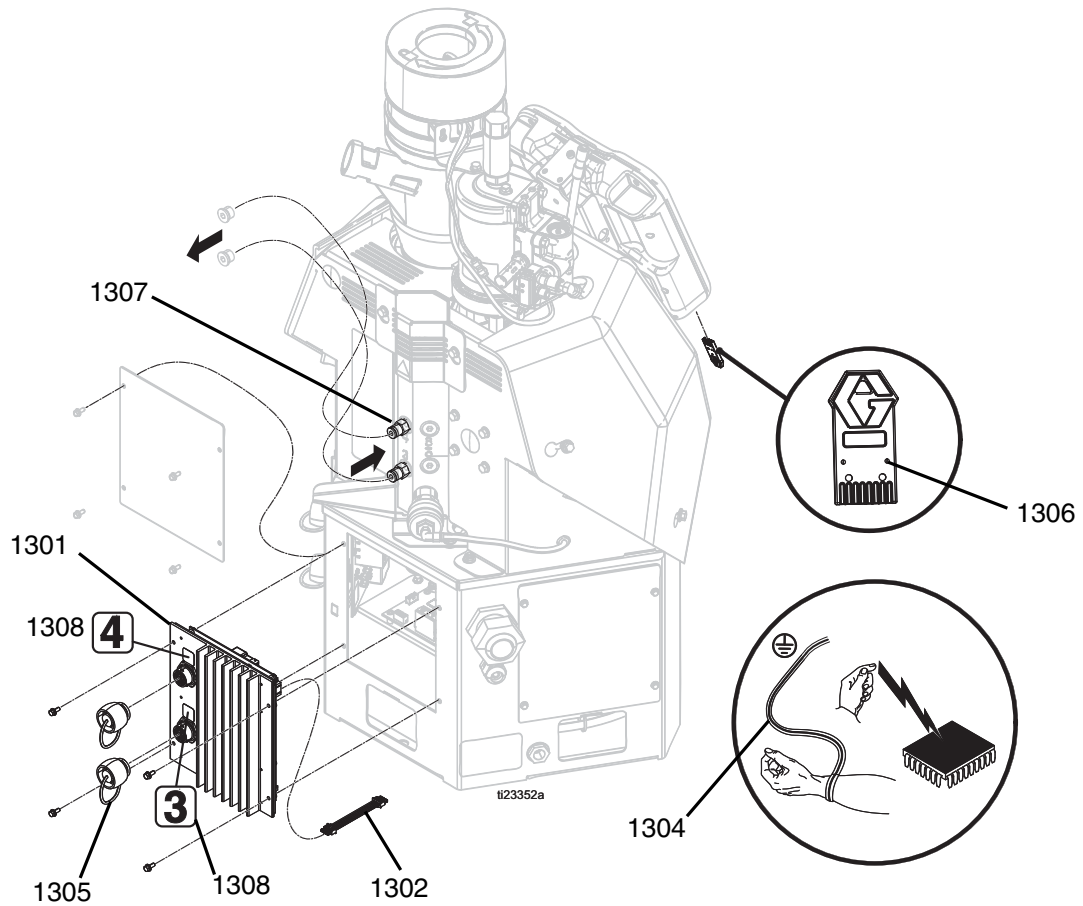
### **Important Safety Instructions**

Read all warnings and instructions in this manual and in the InvisiPac Hot Melt Delivery System manual. Save all instructions.

### **4 Channel Upgrade Kit 24V528**


# 4 Channel Upgrade Kit, 24V528

Use this kit to upgrade a 2 channel system to a 4 channel system.



Ref	Part	Description	Qty
1301	24V510	MODULE, GCA, MZLP	1
1302	16T087	CABLE, jumper, male/male, 21 in.	1
1303	127424	HARNESS, 2nd MZLP power	1
1304	112190	STRAP, wrist, grounding	1
1305	16T440	CAP, jam nut, sealing	2
1306	24R324	SOFTWARE UPGRADE TOKEN, InvisiPac System	1
1307	24P615	FITTING, adapter	2
1308	16Y781	LABEL, InvisiPac Channel Numbers	1
	116793	FITTING, 90° elbow (not shown)	2
	126961	FITTING, 45° elbow (not shown)	2

## 4 Channel Upgrade Kit Installation

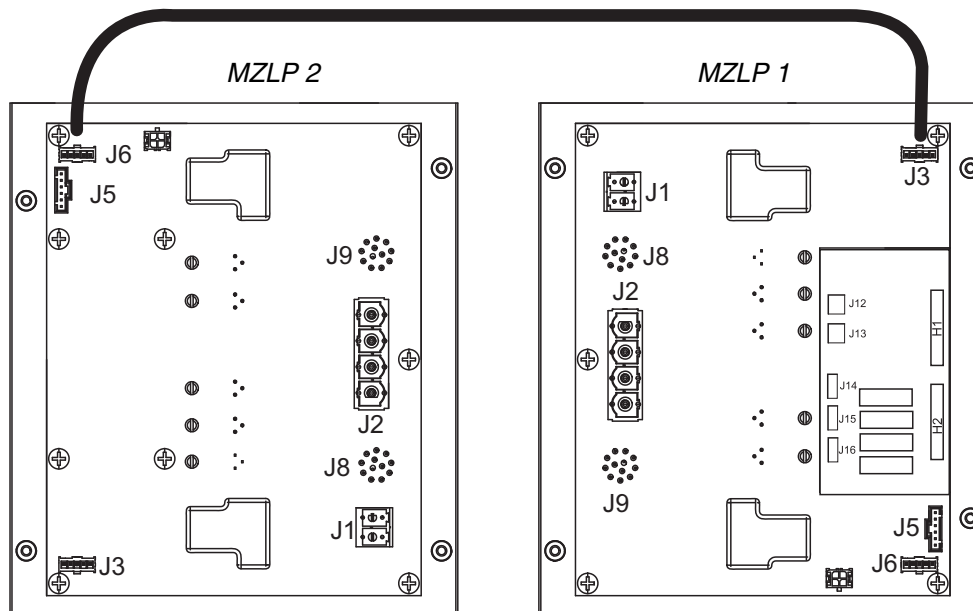


The equipment must be grounded. Improper grounding, setup, or usage of the system can cause electric shock. Disconnect the plug from the power outlet or turn off the circuit breaker for incoming power.

Equipment surfaces and fluid that is heated can become very hot during operation. To avoid severe burns, do not touch hot fluid or equipment.

1. Perform the **Pressure Relief Procedure** (see the InvisiPac manual).
  2. Place grounding wrist strap (1304) over your wrist and secure other end to a grounded surface.
  3. Set the MZLP (1301) rotary switch to “2”.
  4. Remove screws (BB) then remove plate (AA) from system.
  5. Use screws (BB) to install MZLP (1301) onto system. Apply labels from label sheet (1308) to MZLP #2. Place the “3” and “4” labels as shown in parts illustration.
  6. Remove electrical enclosure front access door.
- NOTE:** Do not force the electrical connection. Minimal force is required to seat the connector. If resistance is felt, stop and verify the connector orientation. Verify the connector has “Locked” by gently pulling on the white connector housing.
7. Connect CAN jumper cable (1302) to MZLP 1 connector J3 and connect other end of jumper cable (1302) to MZLP 2 connector J6.
  8. Connect power harness (1303) to MZLP 2 connector J2.
  9. Remove plugs (CC) from fluid manifold and replace with straight fittings (1307) or the extra fittings included with the InvisiPac system. Use the fittings that meet your hose routing needs.
  10. To ensure your InvisiPac system has the latest software, insert token (1306) into the ADM. Follow the **Software Update Procedure** in the InvisiPac manual.

Step 7: Install Jumper Cable (1302).



# Graco Information

## Sealant and Adhesive Dispensing Equipment

For the latest information about Graco products, visit [www.graco.com](http://www.graco.com).

For patent information, see [www.graco.com/patents](http://www.graco.com/patents).

TO PLACE AN ORDER, contact your Graco distributor, go to [www.graco.com](http://www.graco.com), or call to identify the nearest distributor.

If calling from the USA: 1-800-746-1334

If calling from outside the USA: 0-1-330-966-3000

*All written and visual data contained in this document reflects the latest product information available at the time of publication. Graco reserves the right to make changes at any time without notice.*

Original instructions. This manual contains English. MM 3A4404

**Graco Headquarters:** Minneapolis

**International Offices:** Belgium, China, Japan, Korea

**GRACO INC. AND SUBSIDIARIES • P.O. BOX 1441 • MINNEAPOLIS MN 55440-1441 • USA**  
Copyright 2016, Graco Inc. All Graco manufacturing locations are registered to ISO 9001.

[www.graco.com](http://www.graco.com)

Revision D, September 2019