



**IMPORTANT SAFETY INSTRUCTIONS**  
Read all warnings and instructions in the operation manual. Save these instructions.

## Kit, Gauge, Airless Sprayer:

Ultra Max 795, 1095, 1595 and Mark V

GMax 3900, 5900, 7900, 10000

Line Lazer 3900, 5900

GM3000

GH200

EH200, EH200DI, GH200DI, EH300DI, GH300DI

*3300 psi (227 bar, 22.7 MPa ) Maximum Working Pressure*

## Model 241339, Series A

### Pressure Relief Procedure

#### **WARNING**



#### **INJECTION HAZARD**

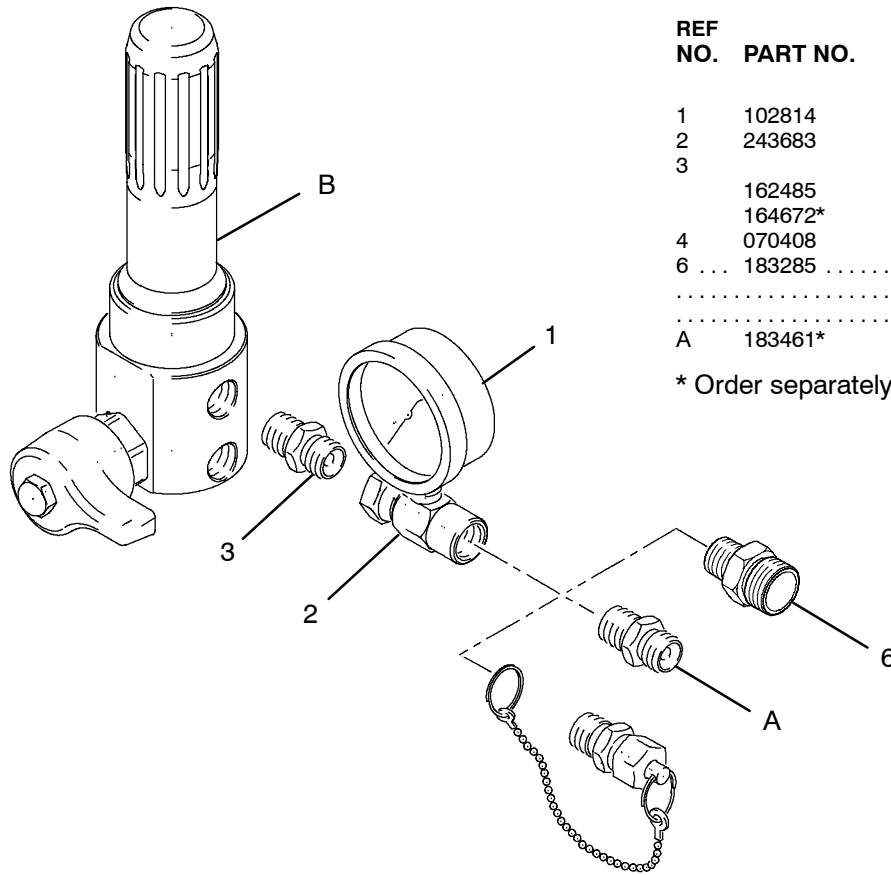
The system pressure must be manually relieved to prevent the system from starting or spraying accidentally. Fluid under high pressure can be injected through the skin and cause serious injury. To reduce the risk of an injury from injection, splashing fluid, or moving parts, follow the **Pressure Relief Procedure** whenever you:

- are instructed to relieve the pressure,
- stop spraying,
- check or service any of the system equipment,
- install or clean the spray tip.

1. Engage gun safety latch.
2. Turn engine or electric motor ON/OFF switch to OFF.
3. Turn pressure control switch to OFF.
4. Unplug power supply cord (electric motor only).
5. Disengage gun safety latch. Hold metal part of gun firmly to grounded metal pail. Trigger gun to relieve pressure.
6. Engage gun safety latch.
7. Open pressure drain valve. Leave pressure drain valve open until ready to spray again.

*If you suspect that the spray tip or hose is completely clogged or that pressure has not been fully relieved after following the steps above, VERY SLOWLY loosen the tip guard retaining nut or hose end coupling and relieve pressure gradually, then loosen completely. Now clear the tip or hose obstruction.*

# Parts Drawing/List



REF NO.	PART NO.	DESCRIPTION	QTY
1	102814	GAUGE, fluid pressure	1
2	243683	UNION, swivel	1
3		NIPPLE.	
	162485	3/8 in. x 3/8 in.	1
	164672*	LL 3000, 1/4 in. x 3/8 in.	1
4	070408	SEALANT, pipe (not shown)	1
6	183285	NIPPLE	1
		(used on EH200DI, EH300DI, GH200DI, GH300DI)	
A	183461*	LL 3000, 3/8 in. x 1/4 in.	1

\* Order separately for LL 3000

Fig. 1

8839A

## Installation

1. Follow **Pressure Relief Procedure** on page 1.
2. Fig. 1. Disconnect fluid hose from pipe nipple (A).
3. Remove pipe nipple (A) from fluid filter (B).
4. Apply pipe sealant (4) to long end of pipe nipple (3) and screw pipe nipple into fluid filter (B).
5. Apply pipe sealant (4) to long end of pipe nipple (A) and screw pipe nipple into swivel union (2).
6. Attach swivel end of swivel union (2) to pipe nipple (3).
7. Connect fluid hose to pipe nipple (A).

## Maintenance

Gauge can not be repaired; replace if damaged.

## Graco Phone Number

**TO PLACE AN ORDER**, contact your Graco distributor, or call this number to identify the distributor closest to you:  
**1-800-690-2894 Toll Free.**

*All written and visual data contained in this document reflects the latest product information available at the time of publication. Graco reserves the right to make changes at any time without notice.*

Original instructions. This manual contains English. MM 308962.

**Graco Headquarters:** Minneapolis  
**International Offices:** Belgium, China, Japan, Korea

**GRACO INC. AND SUBSIDIARIES P.O. BOX 1441 MINNEAPOLIS, MN 55440-1441 USA**  
**Copyright 2011, Graco Inc. All Graco manufacturing locations are registered to ISO 9001**

**www.graco.com**

Revised 01/2012