

GL-1[®] 注射器

3A0390P

ZH

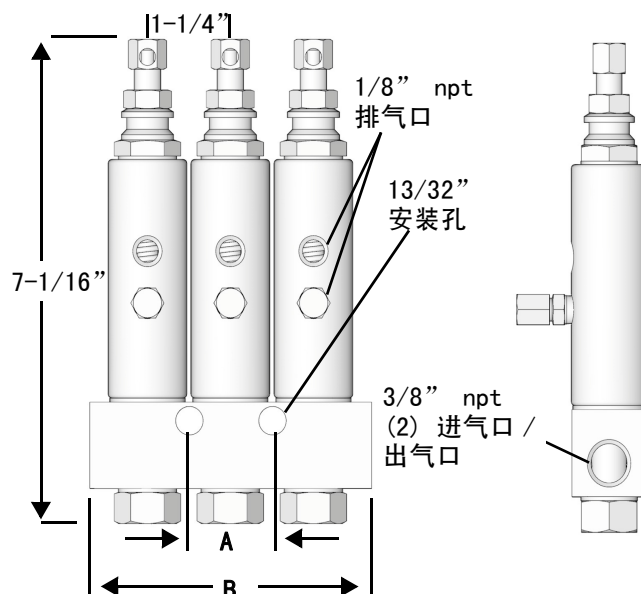
用于单管路并行自动润滑系统。



重要安全说明

请阅读本手册和相关自动润滑系统说明手册上的所有警告和说明。
妥善保存所有说明。

						
<p>皮肤注射危险</p> <p>来自注射器、漏点或破裂部件的液体可能会将液体注入您的身体，造成极为严重的受伤，包括需要截肢。液体注入皮肤可能看上去像割伤一样，但这是很严重的受伤。应即刻进行手术治疗。溅入眼睛的液体或落在皮肤上的液体可引起严重受伤。设备可能已经减压，或可通过由润滑控制器（定时器）发起的自动润滑循环来减压。断开定时器的电源连接，断开空气供应与泵模块的连接，确保系统减压。参见自动润滑系统随附泵操作手册中的压力释放步骤。</p>						



所示型号为 114903

GL-1 注射器型号

部件号	说明	尺寸		裸歧管部件号
		尺寸 A	尺寸 B	
114901	注射器, GL-1, 一点		2.48 in. (63.0 mm)	114911
114902	注射器, GL-1, 两点		3.00 in. (76.0 mm)	114912
114903	注射器, GL-1, 三点	1.25 in. (31.7 mm)	4.23 in. (107.5 mm)	114913
114904	注射器, GL-1, 四点	2.50 in. (63.4 mm)	5.47 in. (139.0 mm)	114914
114905	注射器, GL-1, 五点	3.75 in. (95.1 mm)	6.71 in. (170.5 mm)	114915
117206	注射器, GL-1, 六点	4.99 in. (126.8 mm)	7.90 in. (202.7 mm)	118206
114909	注射器, GL-1, 更换			

安装说明

参考以下说明上使用的字母，参见图 2。

- 将注射器分组，最小化进给管路长度。
- 将注射器安装在方便和安全维护的地方。
- 将注射器安装在由于设备移动而造成注射器意外损坏的风险最小的区域。
- 注射器输出可组合起来，用于有大的润滑脂要求的公共支撑点，但是单注射器的输出不能分为多个支撑点。
- Graco 建议尽可能使用钢管来代替用于供给管路的管道和软管。管道常常被碎屑污染，使用前需要进行正确清洁。软管管路在压力下会扩展，这导致泵循环时间的延长。



1. 释放压力。参见自动润滑系统随附泵操作手册中的压力释放步骤。

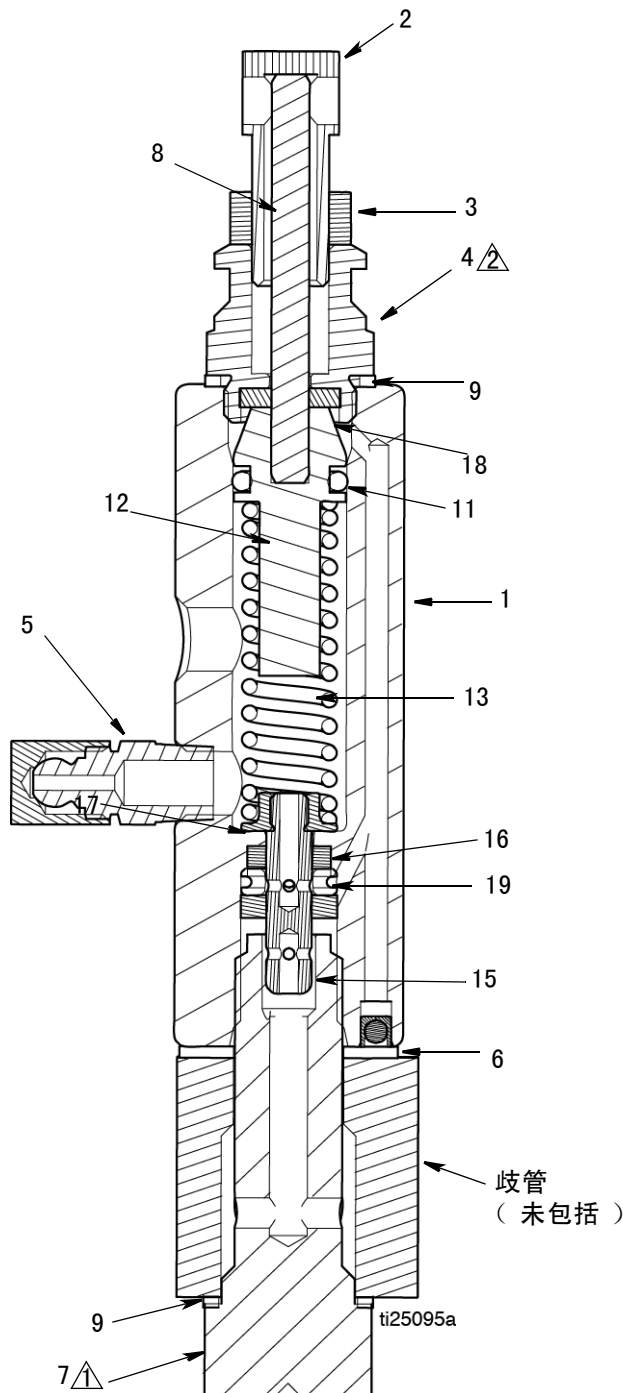
2. 使用安装支架 (a) 在平坦的硬质表面上安装注射器。
3. 将流体供应管路 (c) 同注射器连接起来。

注意

为了防止组件压力过大而造成的供应管路破裂，只使用符合或超过注射器压力额定值的供应管路和管件。

4. 连接润滑点进给管路 (b)。
5. 用低粘度的机油或矿物油精冲洗系统，冲去安装中带上的污染。
6. 使用清洗枪或运行泵，直至在每条进给管路的端头出现清洁的润滑剂，以使用清洗液或空气冲洗系统。
7. 以全输出状态运行系统，验证是否所有的注射器都在循环。
8. 调节注射器的输出量。(参见第 4 页上的量调节。)
9. 将进给管路连接到润滑点。

注射器修理部件



物品	说明	数量	部件号
1	Injector body	1	-
2	Adjusting screw	1	114906
3	Lock nut	1	114907
4	Packing housing	1	114908
5	Zerk fitting and cap assembly	1	114916
6	Copper gasket	1	114918
7	Adapter bolt (used on all manifold models)	1	-
8	Indicator pin	1	-
9	Steel gasket	2	★
11	Fluoroelastomer o-ring (PN 114997)	1	★
12	Displacement piston	1	★
13	Compression spring	1	★
15	Plunger	1	★
16	Fluoroelastomer packing	1	★
17	Fluoroelastomer packing	1	★
18	Fluoroelastomer packing	1	★
19	Inlet valve	1	★

★ 仅包括注射器修理套件 241234

可供套件

仅使用正品 Graco 修理部件

- Graco 部件号 115119 塑料溶胶注射器盖
(安装说明请参见第 3 页)
- Graco 部件号 115120 转换套件
(用于连接注射器的出口以增加输出)
- Graco 部件号 241234 注射器修理套件
(参见 **注射器维修部件** 列表上的套件 241234.)

△ 用 50-55 磅英尺 (68-74.5 牛·米) 的扭力拧紧。

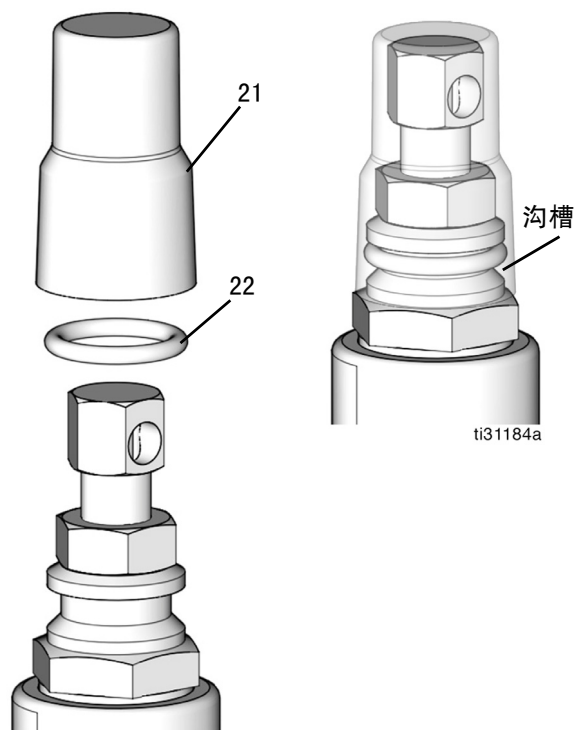
△ 用 35-40 英尺-磅 (47-54 牛·米) 的扭力拧紧。

GL1 注射器盖套件 17L754

物品	说明	数量
21	盖	1
22	O 形环	1

安装说明

1. 在溶胶盖（21）的内侧上涂抹薄薄一层的润滑剂。
2. 向下滑动 O 形圈（22）至活塞插头的指示杆沟槽上。
3. 在注射器的指示杆上滑动溶胶盖（21），让其能盖住活塞中的沟槽。



体积调节

* 当调节螺钉（2）刚好与指示针（8）接触，没有内部压力时，实现最大调节设置。顺时针转动调节螺母（进），减少输出。如要调节，松开锁紧螺母（3）并按 GL-1 容量调节表转动调节螺钉（2）指定的圈数，获得所需的容量。当达到所需的容量设置时，拧紧锁紧螺母（3）。

说明	转动数量	容量	
		in. ³	cc
最大调节量*	0	0.080	1.31
360° 顺时针转动	1	0.071	1.16
360° 顺时针转动	2	0.062	1.02
360° 顺时针转动	3	0.053	0.87
360° 顺时针转动	4	0.044	0.72
360° 顺时针转动	5	0.035	0.57
360° 顺时针转动	6	0.026	0.43
360° 顺时针转动	7	0.017	0.28
最小调节量	8	0.008	0.13

技术数据

最高工作压力	3500 磅 / 平方英寸 (24 兆帕, 241 巴)
建议的工作压力。	2500 磅 / 平方英寸 (17 兆帕, 172 巴)
重置压力	600 磅 / 平方英寸 (4.1 兆帕, 41 巴)
输出量 / 循环	可调*: 0.008 至 0.08 in. ³
流体部件	碳钢、不锈钢、铜、氟橡胶
建议的液体	N. L. G. I. #2 润滑脂降至 32° F (0° C)。

Graco Standard Warranty

Graco warrants all equipment referenced in this document which is manufactured by Graco and bearing its name to be free from defects in material and workmanship on the date of sale to the original purchaser for use. With the exception of any special, extended, or limited warranty published by Graco, Graco will, for a period of twelve months from the date of sale, repair or replace any part of the equipment determined by Graco to be defective. This warranty applies only when the equipment is installed, operated and maintained in accordance with Graco's written recommendations.

This warranty does not cover, and Graco shall not be liable for general wear and tear, or any malfunction, damage or wear caused by faulty installation, misapplication, abrasion, corrosion, inadequate or improper maintenance, negligence, accident, tampering, or substitution of non-Graco component parts. Nor shall Graco be liable for malfunction, damage or wear caused by the incompatibility of Graco equipment with structures, accessories, equipment or materials not supplied by Graco, or the improper design, manufacture, installation, operation or maintenance of structures, accessories, equipment or materials not supplied by Graco.

This warranty is conditioned upon the prepaid return of the equipment claimed to be defective to an authorized Graco distributor for verification of the claimed defect. If the claimed defect is verified, Graco will repair or replace free of charge any defective parts. The equipment will be returned to the original purchaser transportation prepaid. If inspection of the equipment does not disclose any defect in material or workmanship, repairs will be made at a reasonable charge, which charges may include the costs of parts, labor, and transportation.

THIS WARRANTY IS EXCLUSIVE, AND IS IN LIEU OF ANY OTHER WARRANTIES, EXPRESS OR IMPLIED, INCLUDING BUT NOT LIMITED TO WARRANTY OF MERCHANTABILITY OR WARRANTY OF FITNESS FOR A PARTICULAR PURPOSE.

Graco's sole obligation and buyer's sole remedy for any breach of warranty shall be as set forth above. The buyer agrees that no other remedy (including, but not limited to, incidental or consequential damages for lost profits, lost sales, injury to person or property, or any other incidental or consequential loss) shall be available. Any action for breach of warranty must be brought within two (2) years of the date of sale.

GRACO MAKES NO WARRANTY, AND DISCLAIMS ALL IMPLIED WARRANTIES OF MERCHANTABILITY AND FITNESS FOR A PARTICULAR PURPOSE, IN CONNECTION WITH ACCESSORIES, EQUIPMENT, MATERIALS OR COMPONENTS SOLD BUT NOT MANUFACTURED BY GRACO. These items sold, but not manufactured by Graco (such as electric motors, switches, hose, etc.), are subject to the warranty, if any, of their manufacturer. Graco will provide purchaser with reasonable assistance in making any claim for breach of these warranties.

In no event will Graco be liable for indirect, incidental, special or consequential damages resulting from Graco supplying equipment hereunder, or the furnishing, performance, or use of any products or other goods sold hereto, whether due to a breach of contract, breach of warranty, the negligence of Graco, or otherwise.

FOR GRACO CANADA CUSTOMERS

The Parties acknowledge that they have required that the present document, as well as all documents, notices and legal proceedings entered into, given or instituted pursuant hereto or relating directly or indirectly hereto, be drawn up in English. Les parties reconnaissent avoir convenu que la rédaction du présente document sera en Anglais, ainsi que tous documents, avis et procédures judiciaires exécutés, donnés ou intentés, à la suite de ou en rapport, directement ou indirectement, avec les procédures concernées.

Graco Information

For the latest information about Graco products, visit www.graco.com.

TO PLACE AN ORDER, contact your Graco distributor or call to identify the nearest distributor.

Phone: 612-623-6928 or **Toll Free:** 1-800-533-9655, **Fax:** 612-378-3590

*All written and visual data contained in this document reflects the latest product information available at the time of publication.
Graco reserves the right to make changes at any time without notice.*

For patent information, see www.graco.com/patents.

技术手册原文翻译。 This manual contains Chinese. MM 308953
instructions. This manual contains English. MM 308953

Graco Headquarters: Minneapolis
International Offices: Belgium, China, Japan, Korea

GRACO INC. AND SUBSIDIARIES • P.O. BOX 1441 • MINNEAPOLIS MN 55440-1441 • USA

Copyright 1999, Graco Inc. All Graco manufacturing locations are registered to ISO 9001.

www.graco.com
Revised March 2017